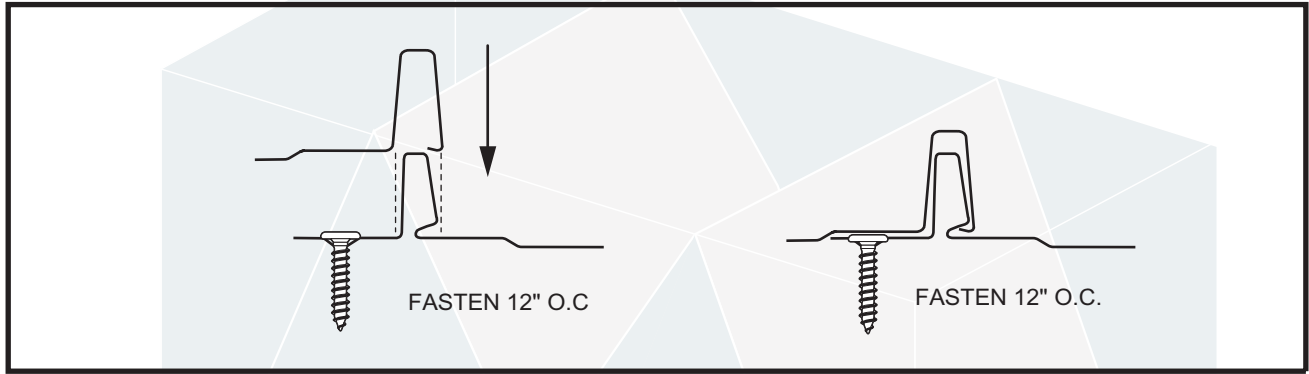
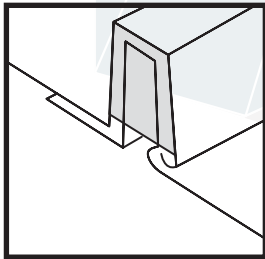


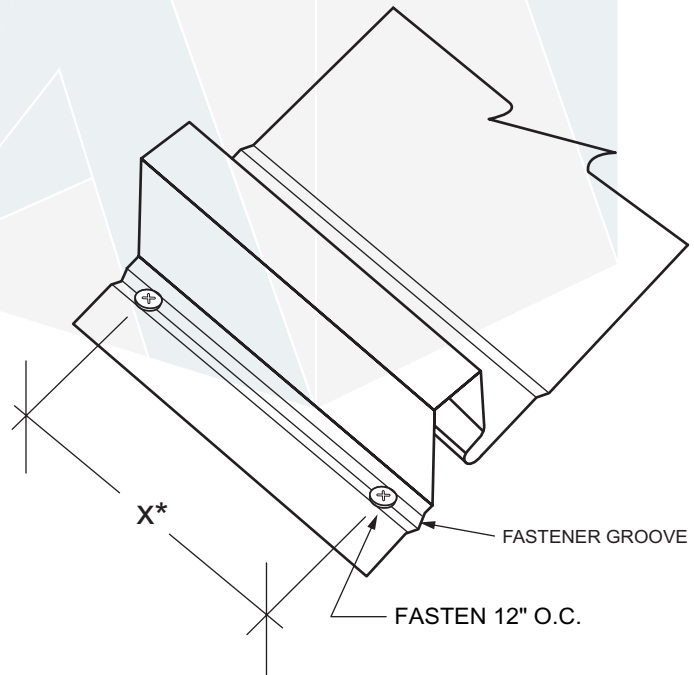
PANEL PROFILE



PANEL ENGAGEMENT



END VIEW WITH SEALANT



FASTENER INSTALLATION

NOTE: NOT FOR SHOP DRAWING USE.

RIDGE / HIP COVER

POP RIVET AS NEEDED

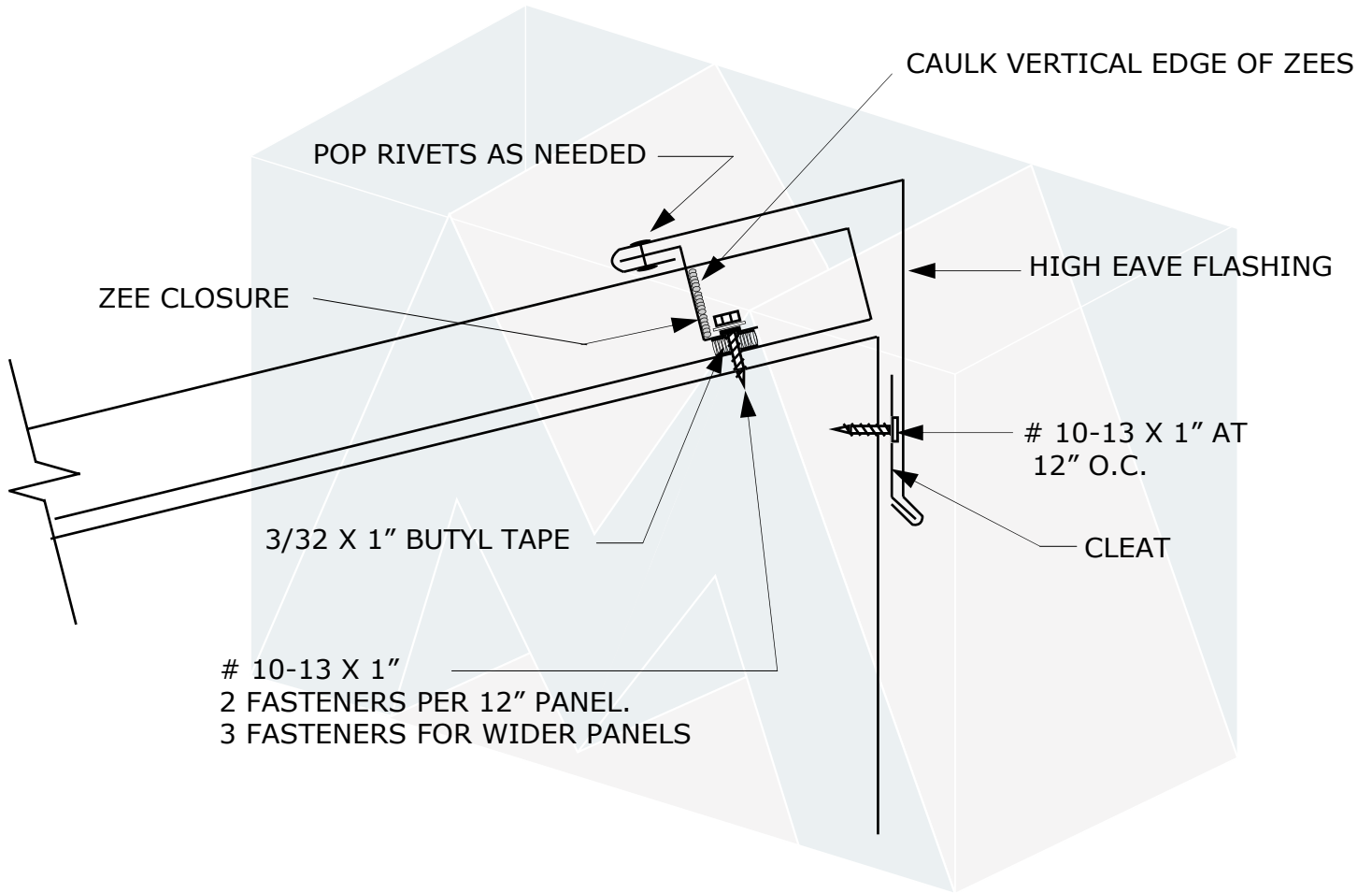
ZEE CLOSURE

# 10-13 X 1"  
2 FASTENERS PER 12" PANEL.  
3 FASTENERS FOR WIDER PANELS

CAULK VERTICAL EDGE OF ZEEES

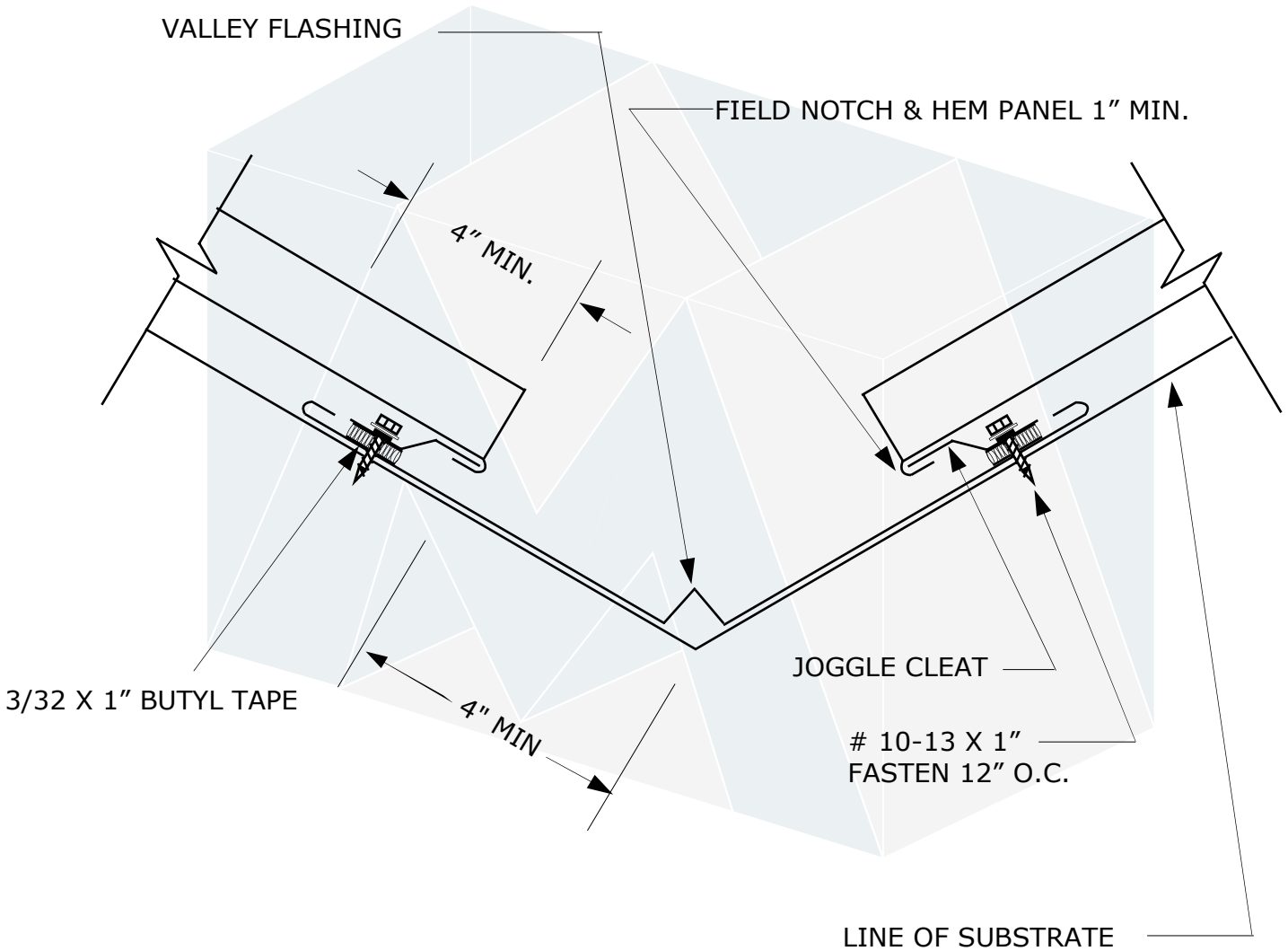
3/32 X 1" BUTYL TAPE

NOTE: NOT FOR SHOP DRAWING USE.

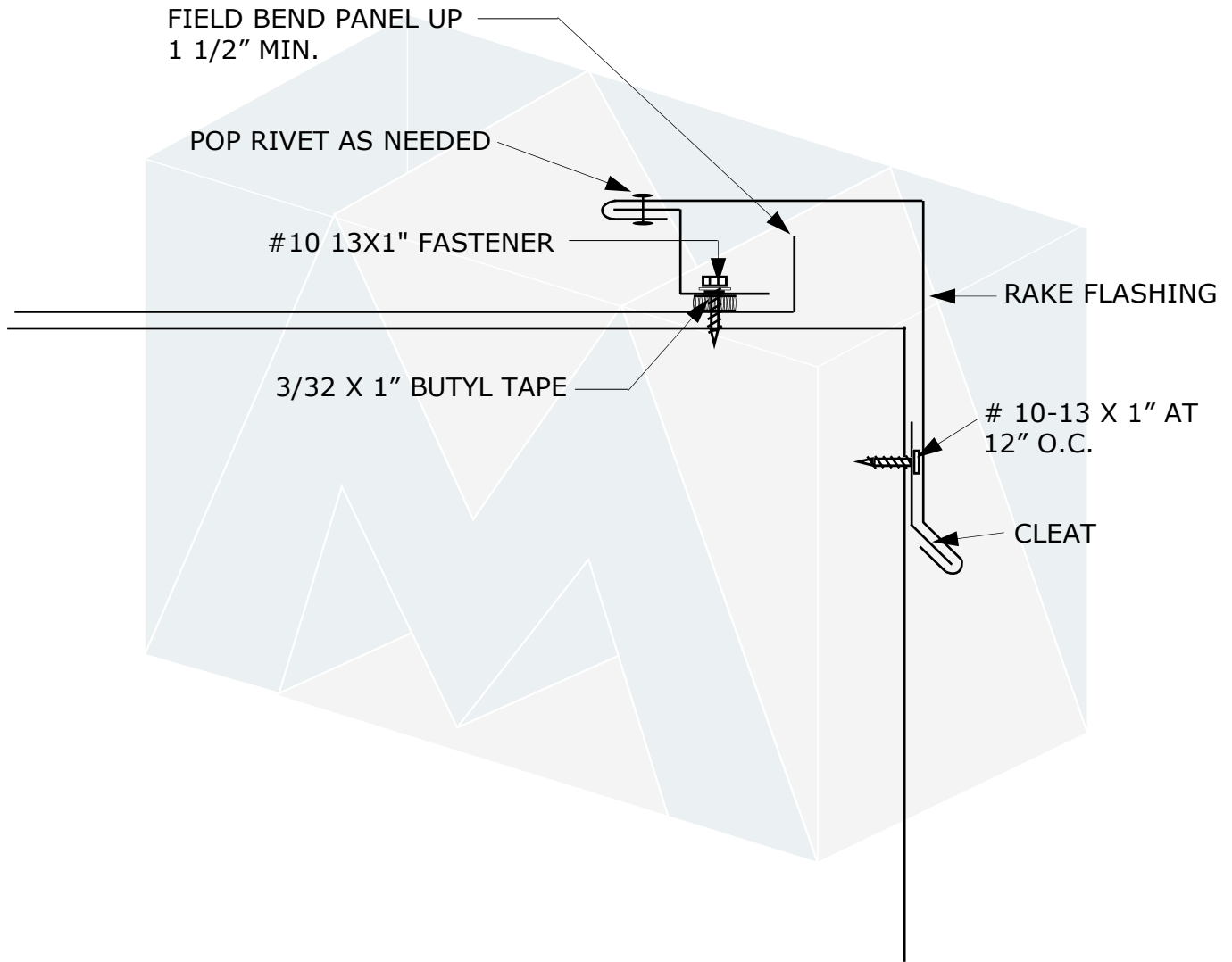


# 10-13 X 1"  
 2 FASTENERS PER 12" PANEL.  
 3 FASTENERS FOR WIDER PANELS

NOTE: NOT FOR SHOP DRAWING USE.



NOTE: NOT FOR SHOP DRAWING USE.



NOTE: NOT FOR SHOP DRAWING USE.



7670 Mikron Drive  
Stanley, NC 28164  
704-820-3110

SUBJECT: RAKE - GABLE FLASHING

SYSTEM: **MRS NailStrip**

DATE:

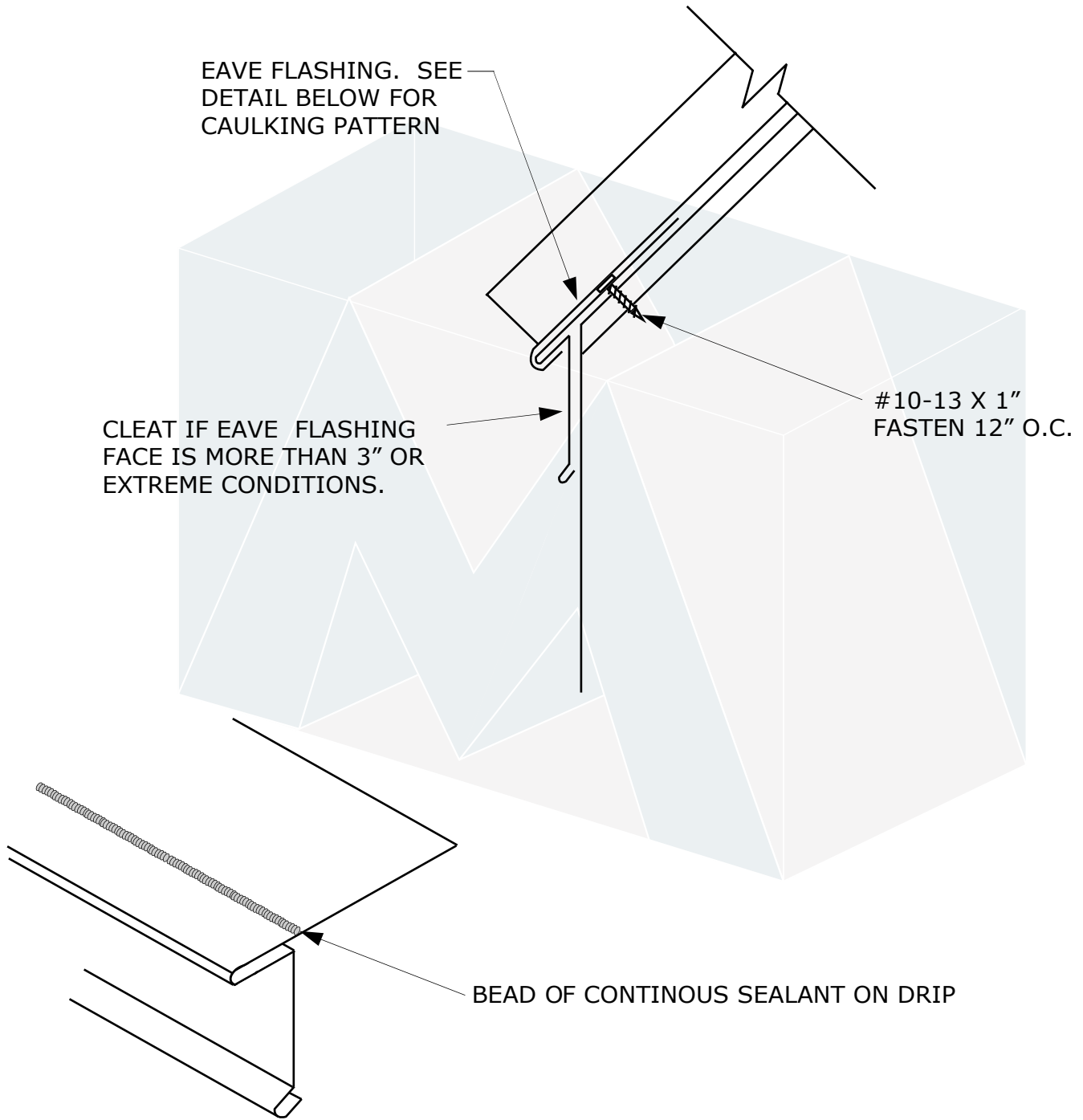
SCALE: NONE

REV:

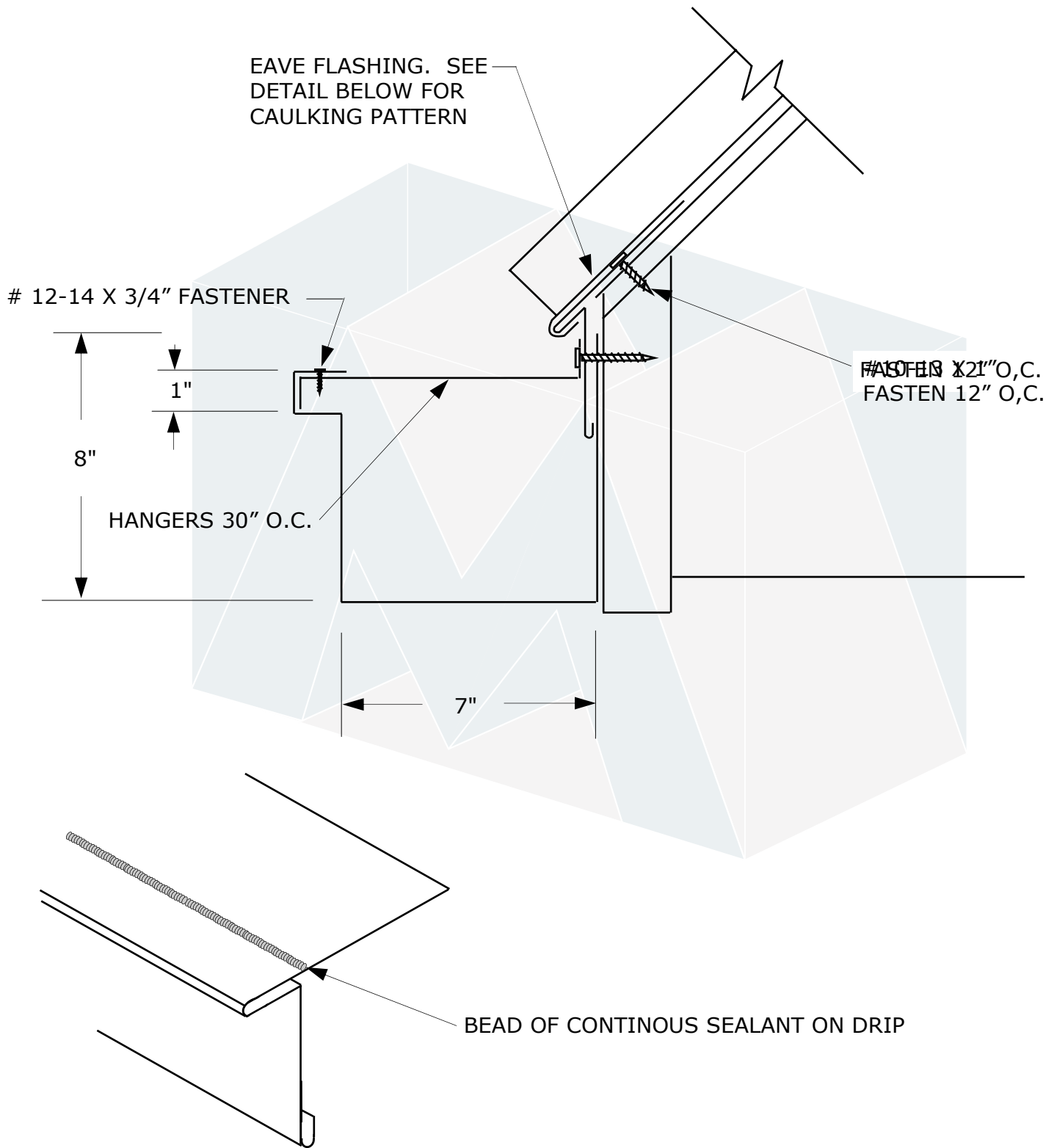
DRAWING  
NO.

**5**

NOTE: NOT FOR SHOP DRAWING USE.



NOTE: NOT FOR SHOP DRAWING USE.



7670 Mikron Drive  
Stanley, NC 28164  
704-820-3110

SUBJECT: GUTTER FLASHING

SYSTEM: **MRS NailStrip**

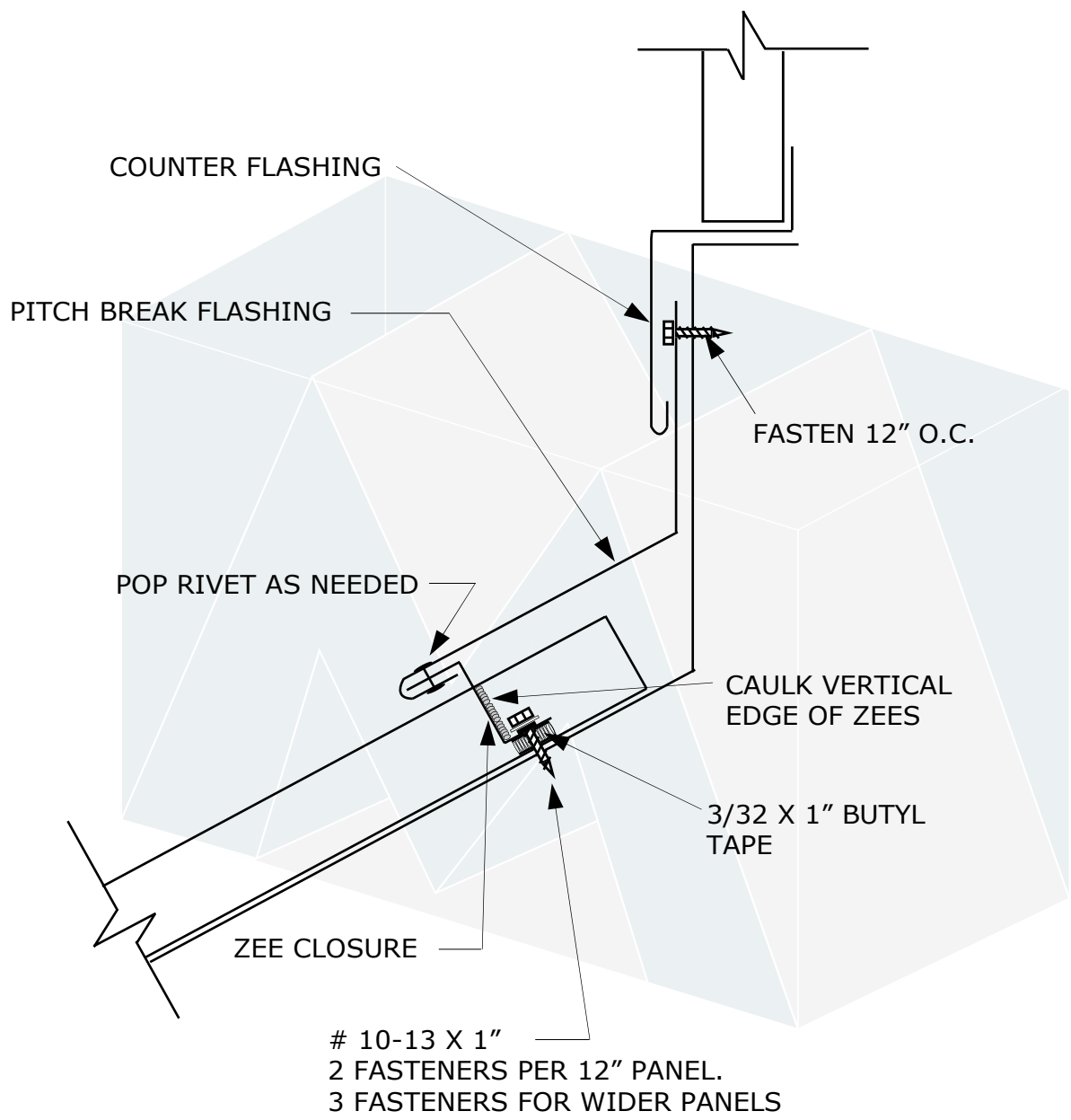
DATE:

SCALE: NONE


REV:

DRAWING  
NO.

7



NOTE: NOT FOR SHOP DRAWING USE.

 <b>METAL ROOFING</b> Systems, Inc	7670 Mikron Drive Stanley, NC 28164 704-820-3110		SUBJECT: HEADWALL FLASHING		DRAWING NO.  <b>8</b>
			SYSTEM: <b>MRS NailStrip</b>		
	DATE:		SCALE: NONE		