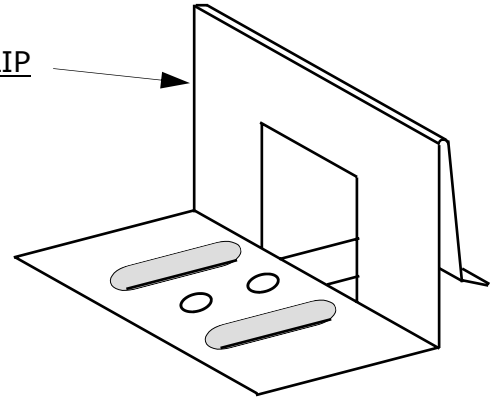


NOTE: NOT FOR SHOP DRAWING USE

UL-90 CLIP



PANELS

SUBSTRATE

CLIPS AT 20" O.C. MAX.
WITH 1 FASTENER EACH. FASTENER
SHOULD PENETRATE DECK.

1 1/2"

12" TO 20"



WITH STRIATIONS



WITH STRESS RIBS



7670 Mikron Drive
Stanley, NC 28164
704-820-3110

SUBJECT: CLIP AND PANEL PROFILE

SYSTEM: **MRS System 1000**

DATE:

SCALE: NONE

REV:

DRAWING
NO.

1

EAVE FLASHING. SEE
DETAIL BELOW FOR
CAULKING PATTERN

12-14 X 3/4" FASTENER

1"

8"

HANGERS 30" O.C.

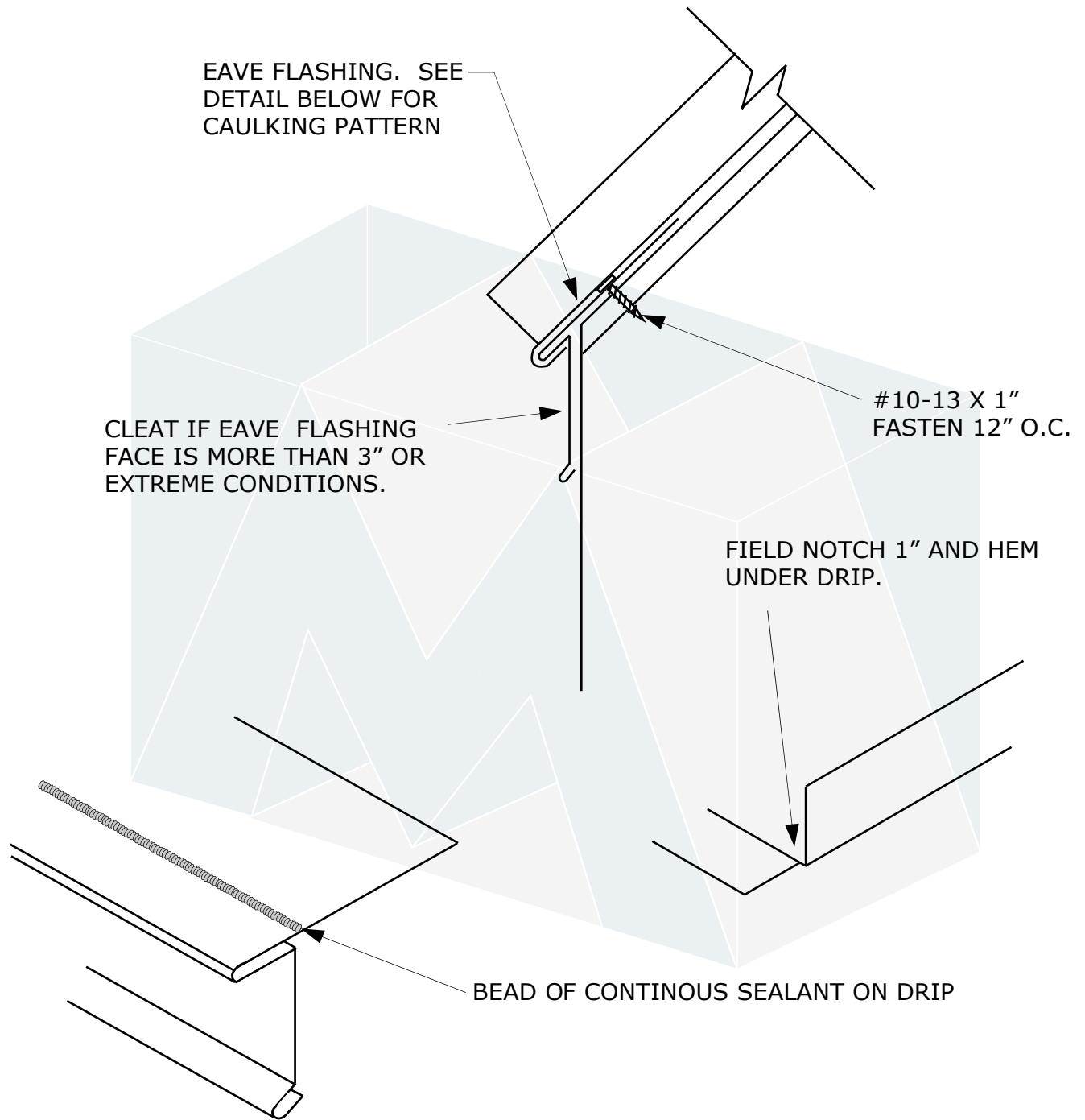
12-14 X 2 1/2" O.C.
FASTENERS FASTEN 12" O.C.

FIELD NOTCH 1" AND HEM
UNDER DRIP.

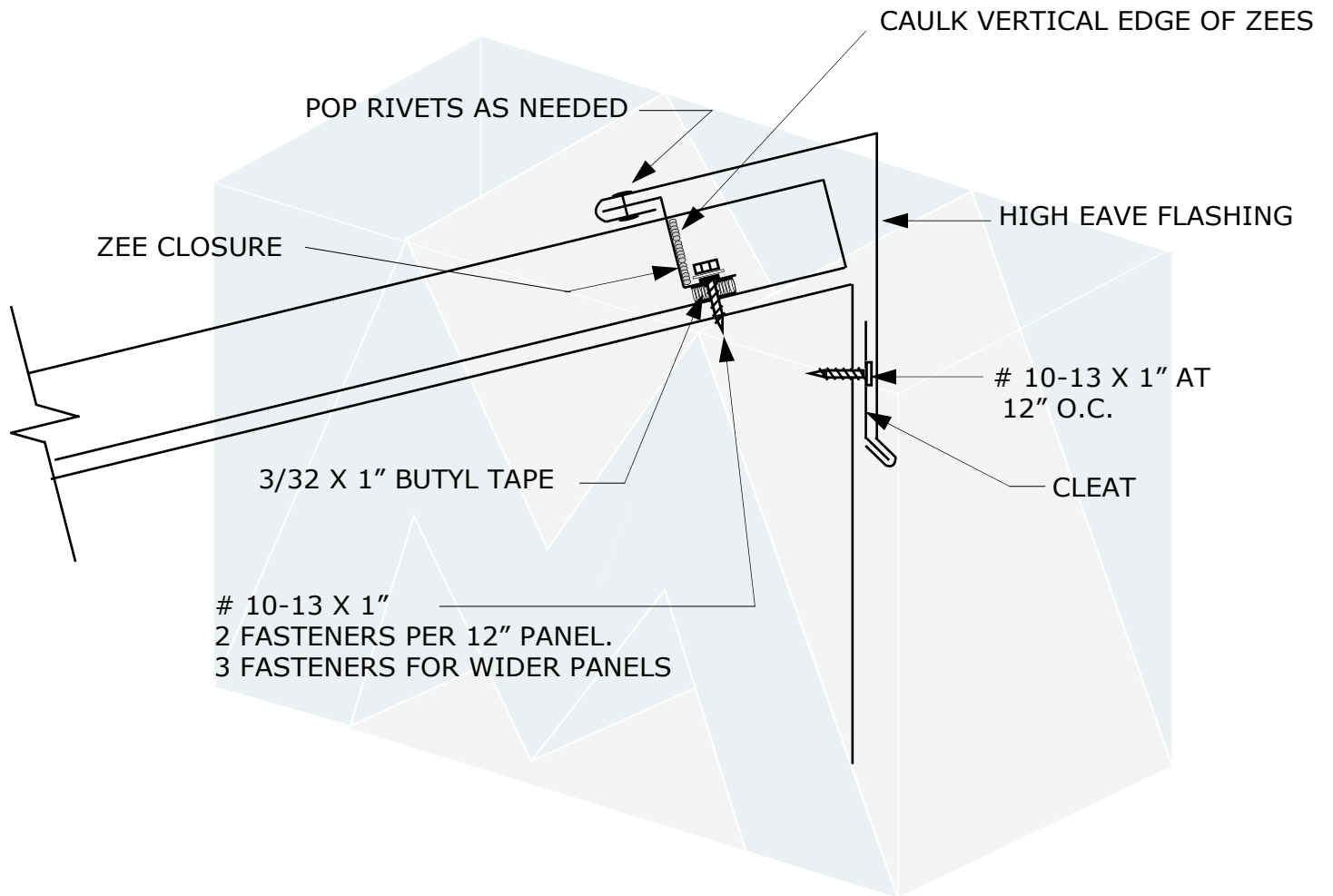
7"

BEAD OF CONTINUOUS SEALANT ON DRIP

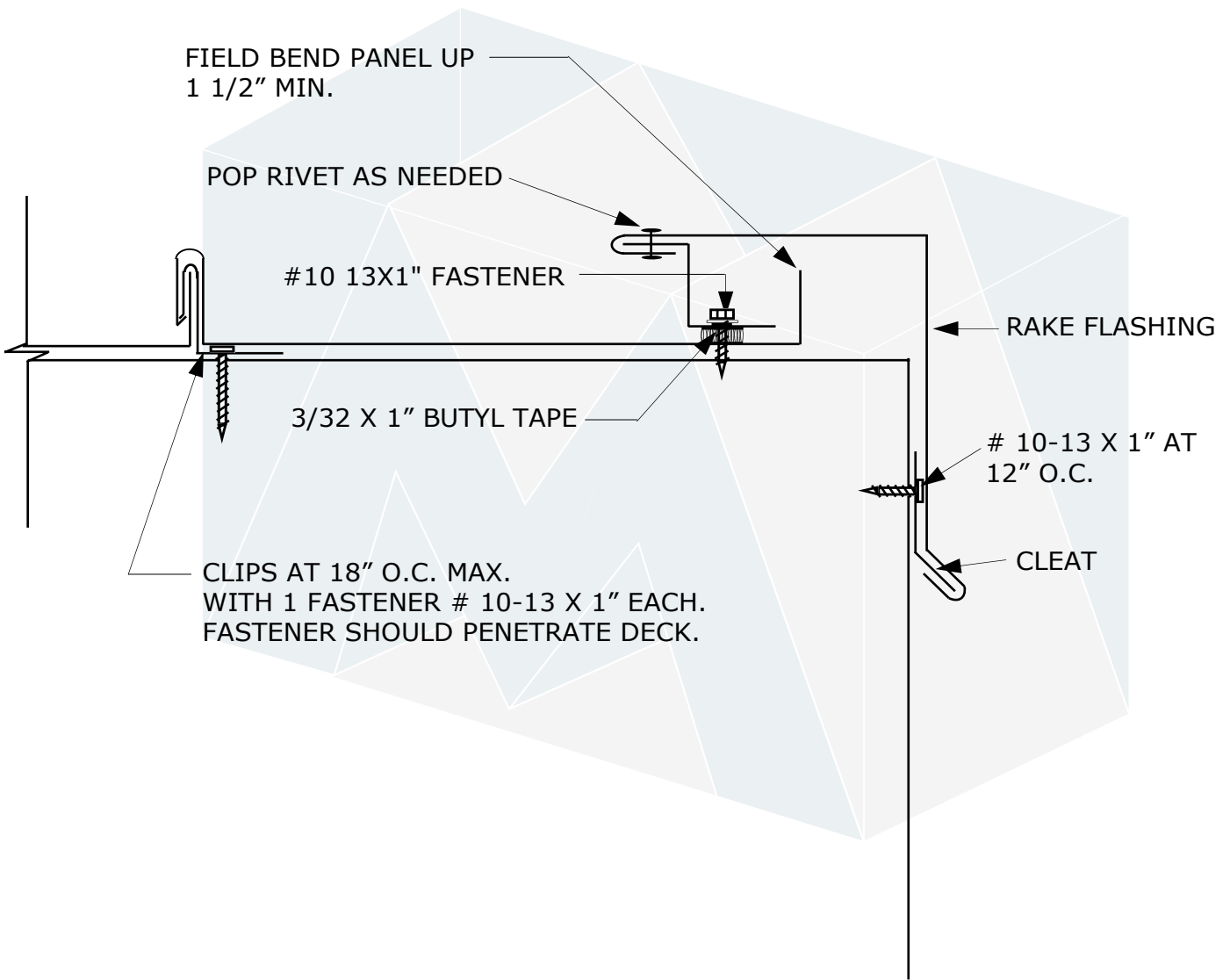
NOTE: NOT FOR SHOP DRAWING USE



NOTE: NOT FOR SHOP DRAWING USE



NOTE: NOT FOR SHOP DRAWING USE



NOTE: NOT FOR SHOP DRAWING USE

RIDGE / HIP COVER

POP RIVET AS NEEDED

ZEE CLOSURE

3/32 X 1" BUTYL TAPE

CAULK VERTICAL EDGE OF ZEES

10-13 X 1"
2 FASTENERS PER 12" PANEL.
3 FASTENERS FOR WIDER PANELS

NOTE: NOT FOR SHOP DRAWING USE



7670 Mikron Drive
Stanley, NC 28164
704-820-3110

SUBJECT: RIDGE / HIP COVER

SYSTEM: **MRS System 1000**

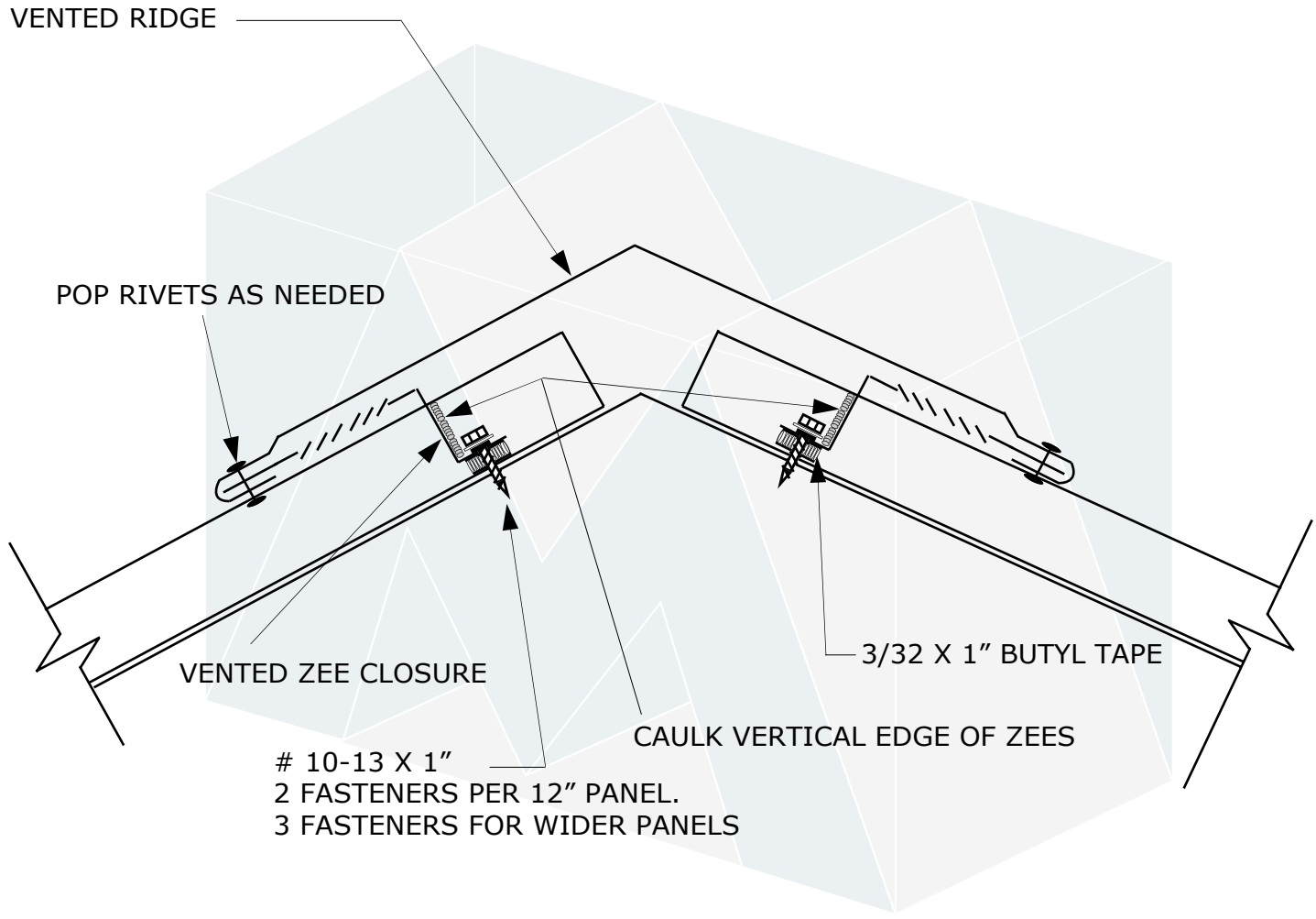
DATE:

SCALE: NONE


REV:

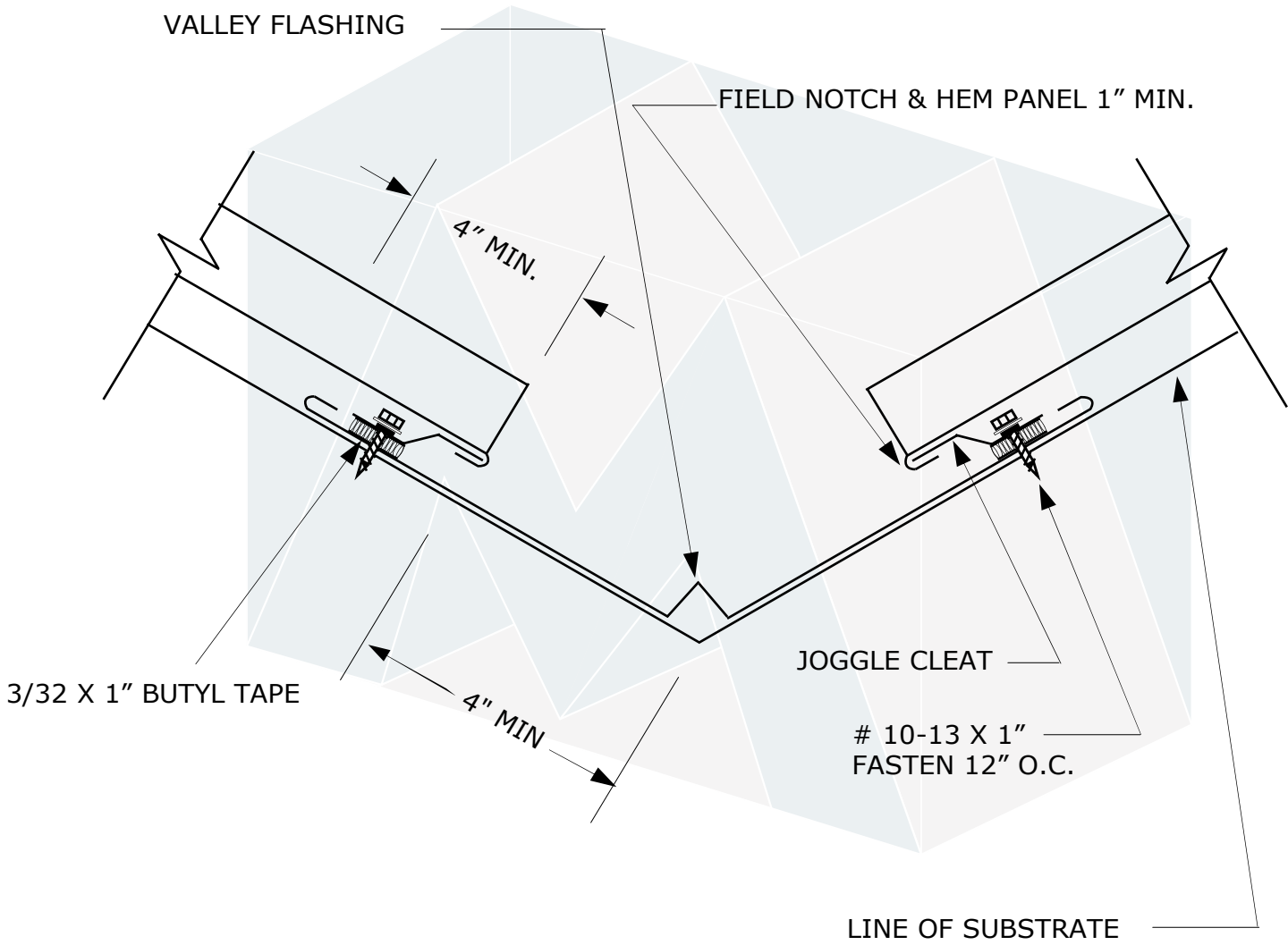
DRAWING
NO.

6



NOTE: NOT FOR SHOP DRAWING USE

	7670 Mikron Drive Stanley, NC 28164 704-820-3110		SUBJECT: VENTED RIDGE		DRAWING NO. 7
			SYSTEM: MRS System 1000		
	DATE:	SCALE: NONE	REV:		



NOTE: NOT FOR SHOP DRAWING USE



7670 Mikron Drive
Stanley, NC 28164
704-820-3110

SUBJECT: FLOATING VALLEY

SYSTEM: **MRS System 1000**

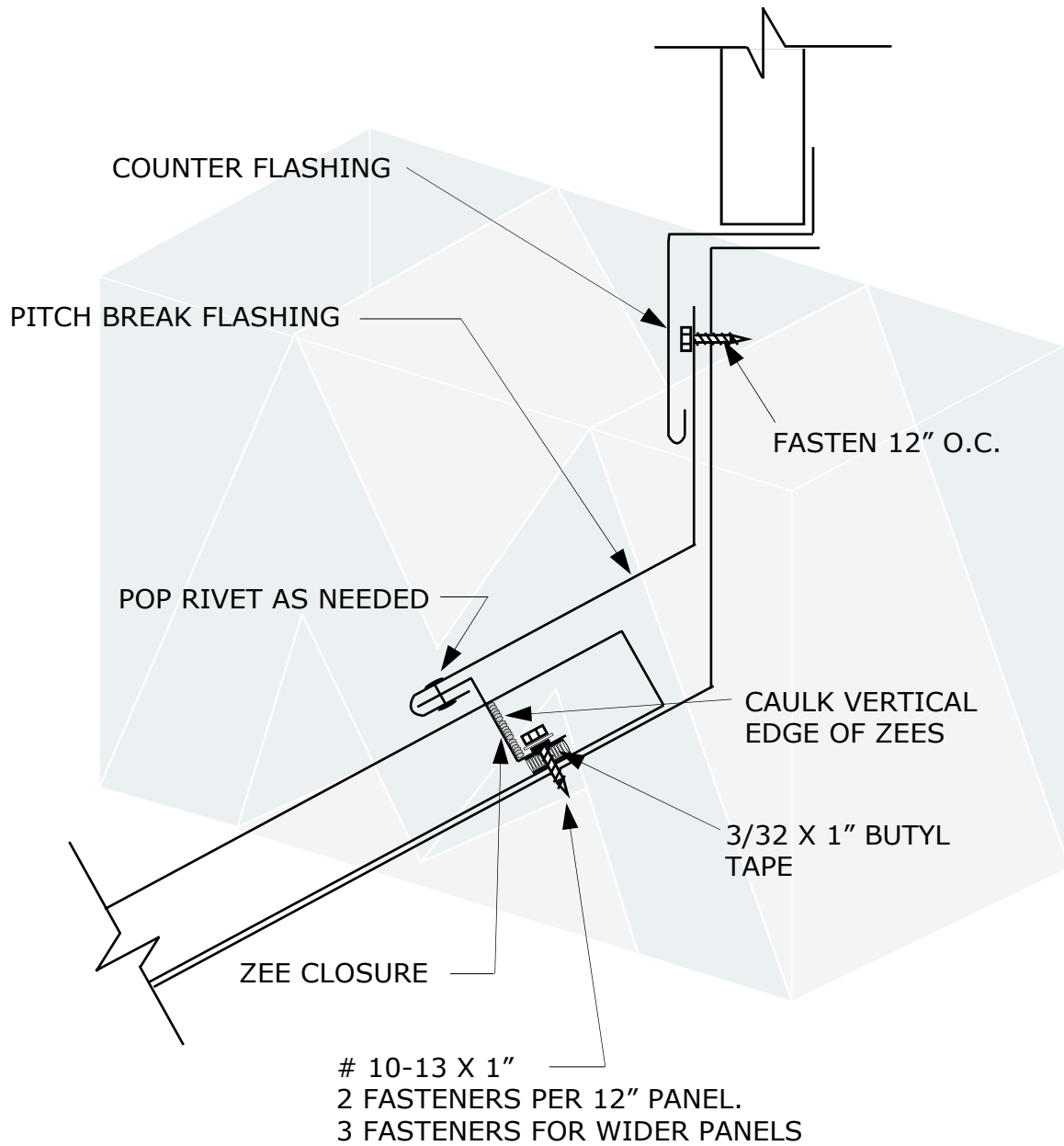
DATE:

SCALE: NONE

REV:

DRAWING
NO.

8



NOTE: NOT FOR SHOP DRAWING USE



7670 Mikron Drive
Stanley, NC 28164
704-820-3110

SUBJECT: HEADWALL FLASHING

SYSTEM: **MRS System 1000**

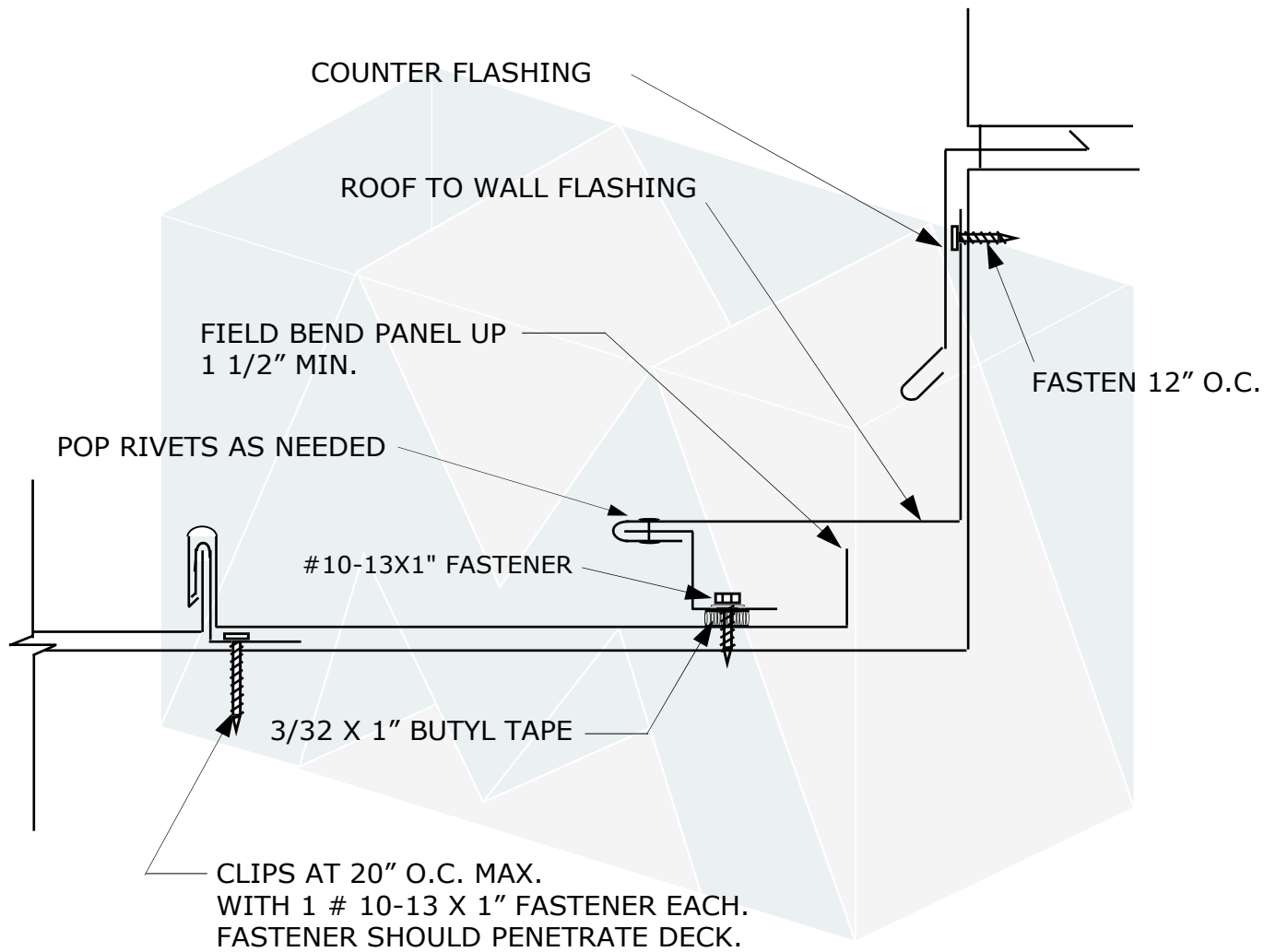
DATE:

SCALE: NONE

REV:

DRAWING
NO.

9



NOTE: NOT FOR SHOP DRAWING USE



7670 Mikron Drive
Stanley, NC 28164
704-820-3110

SUBJECT: SIDEWALL FLASHING

SYSTEM: **MRS System 1000**

DATE:

SCALE: NONE

REV:

DRAWING
NO
10