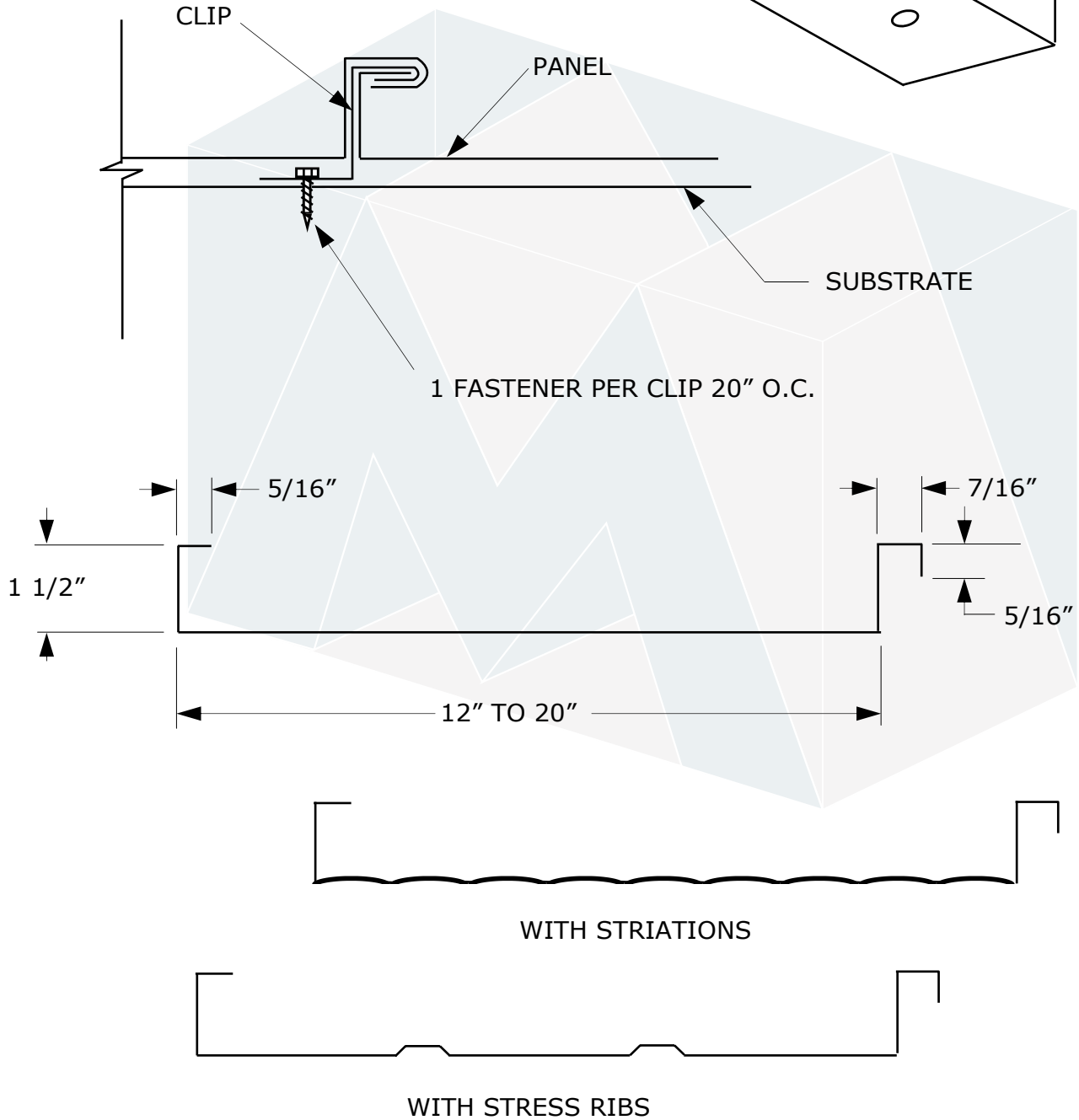
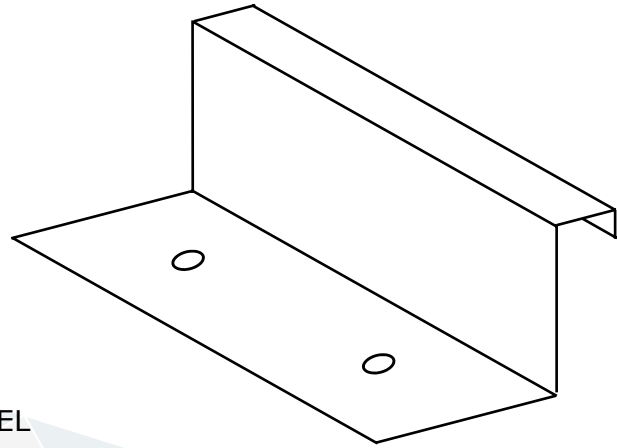


NOTE: NOT FOR SHOP DRAWING USE



7670 Mikron Drive  
Stanley, NC 28164  
704-820-3110

SUBJECT: PANEL AND CLIP PROFILE

SYSTEM: **MRS SYSTEM 1500**

DATE:

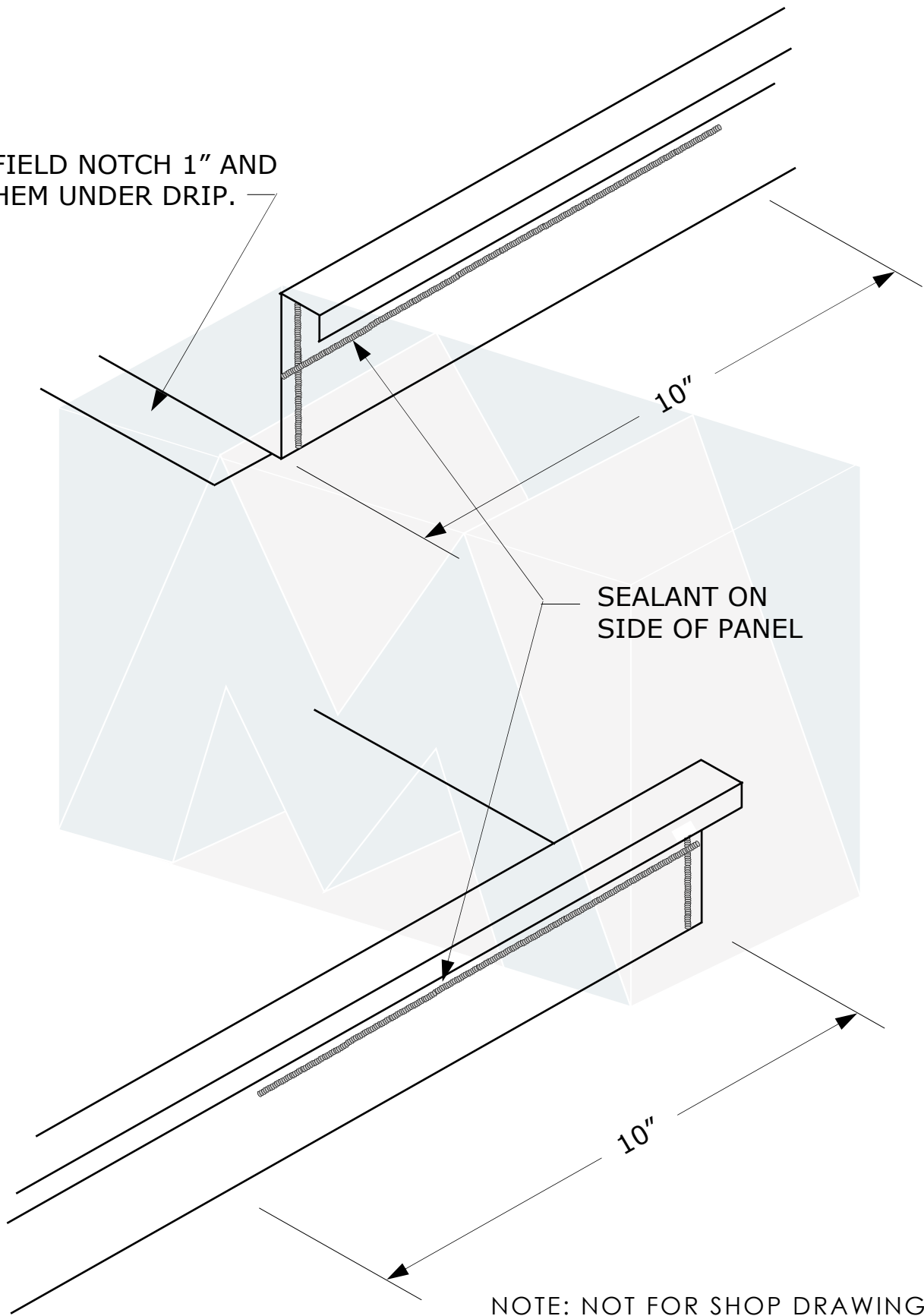
SCALE: NONE

REV:

DRAWING  
NO.

**1**

FIELD NOTCH 1" AND  
HEM UNDER DRIP.



SEALANT ON  
SIDE OF PANEL

10"

10"

NOTE: NOT FOR SHOP DRAWING USE



**METAL ROOFING**  
Systems, Inc

7670 Mikron Drive  
Stanley, NC 28164  
704-820-3110

SUBJECT: PANEL SEALANT

SYSTEM: **MRS SYSTEM 1500**

DATE:

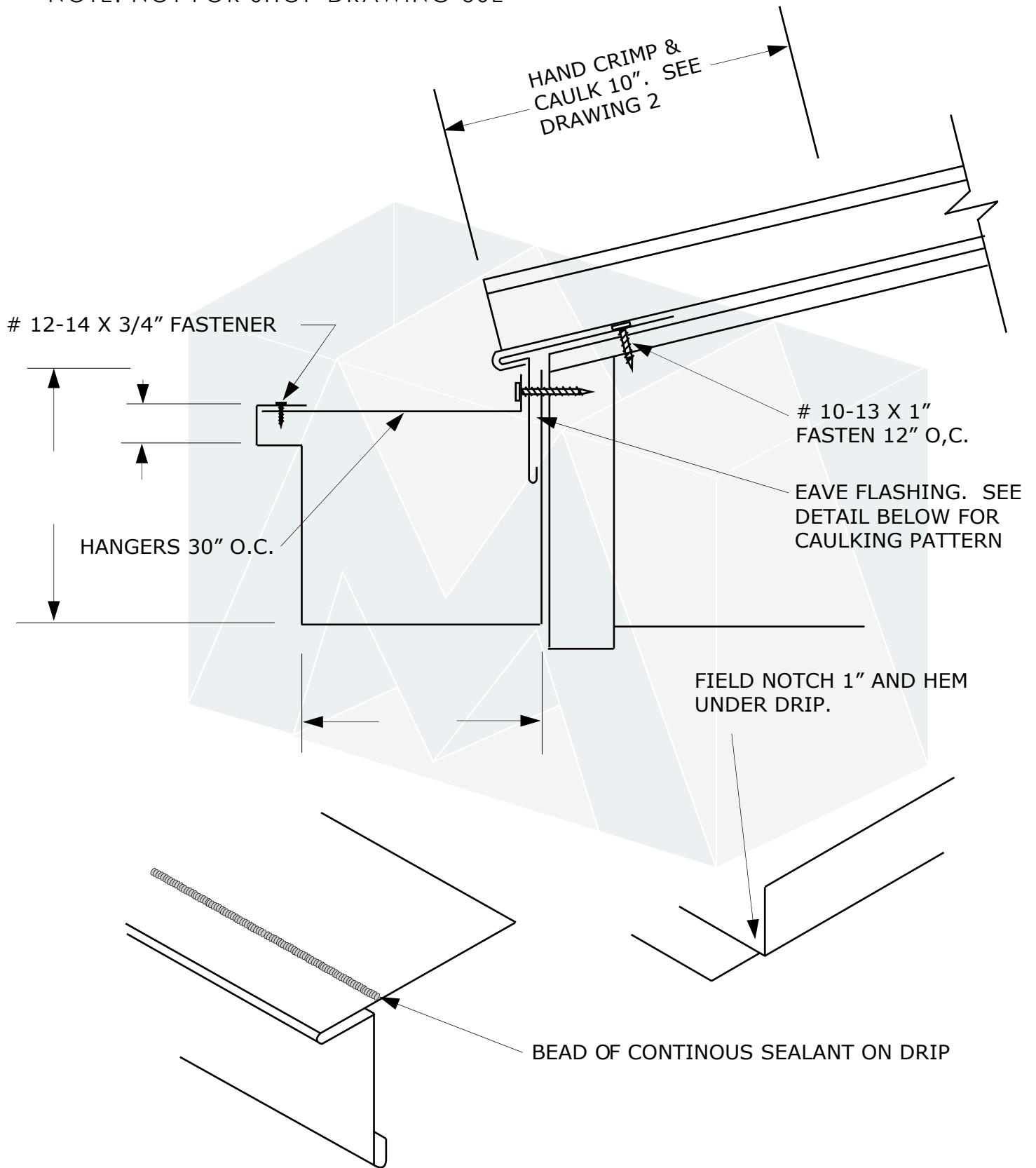
SCALE: NONE

REV:

DRAWING  
NO.

**2**

NOTE: NOT FOR SHOP DRAWING USE



7670 Mikron Drive  
Stanley, NC 28164  
704-820-3110

SUBJECT: LOCKING EAVE FLASHING

SYSTEM: **MRS SYSTEM 1500**

DATE:

SCALE: NONE

REV:

DRAWING  
NO.  
**3**

EAVE FLASHING. SEE  
DETAIL BELOW FOR  
CAULKING PATTERN

HAND CRIMP &  
CAULK 10". SEE  
DRAWING 2

CLEAT IF EAVE FLASHING  
FACE IS MORE THAN 3" OR  
EXTREME CONDITIONS.

#10-13 X 1"  
FASTEN 12" O.C.

FIELD NOTCH 1" AND HEM  
UNDER DRIP.

BEAD OF CONTINUOUS SEALANT ON DRIP

NOTE: NOT FOR SHOP DRAWING USE



7670 Mikron Drive  
Stanley, NC 28164  
704-820-3110

SUBJECT: LOCKING EAVE FLASHING

SYSTEM: **MRS SYSTEM 1500**

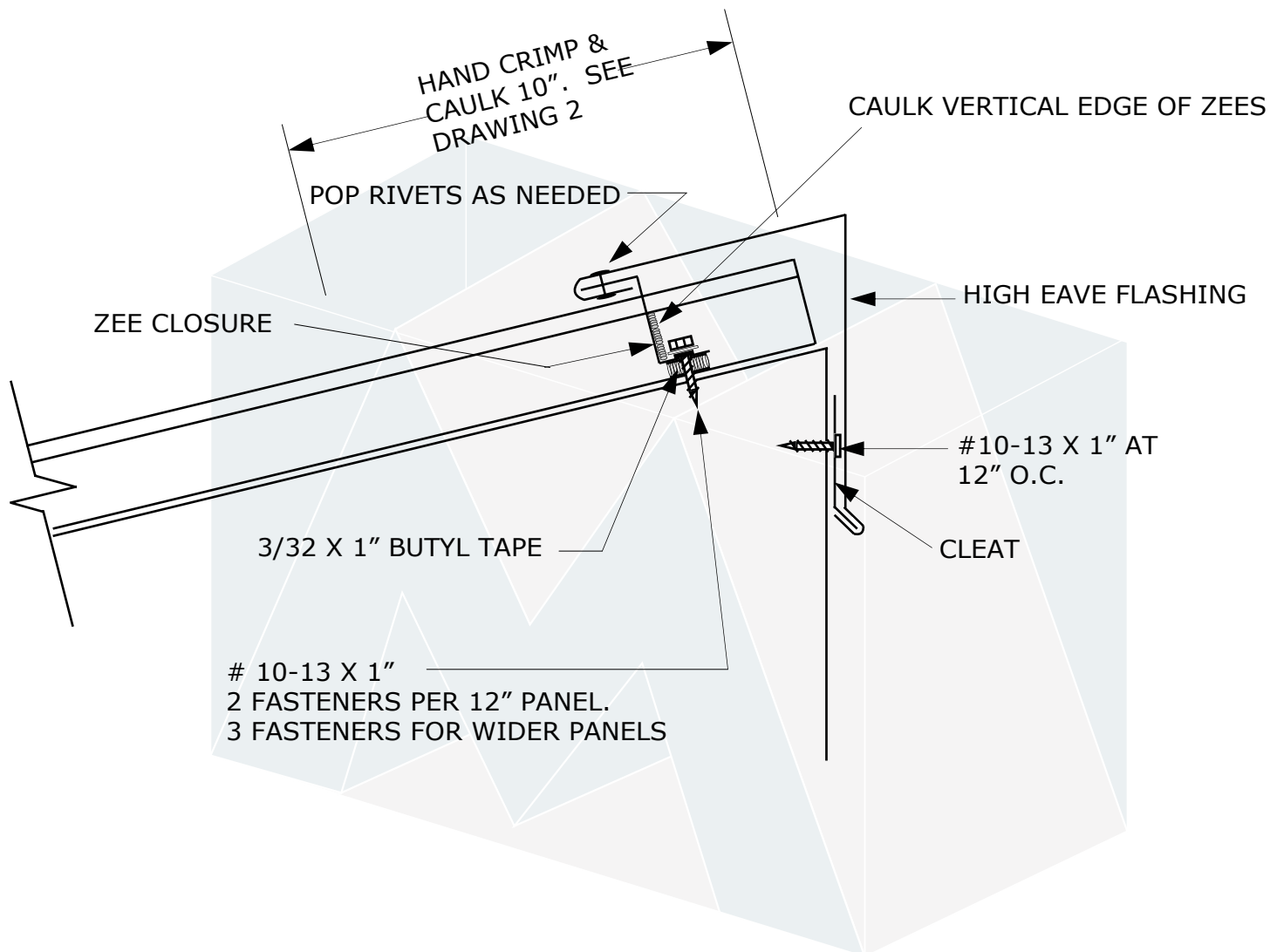
DATE:

SCALE: NONE

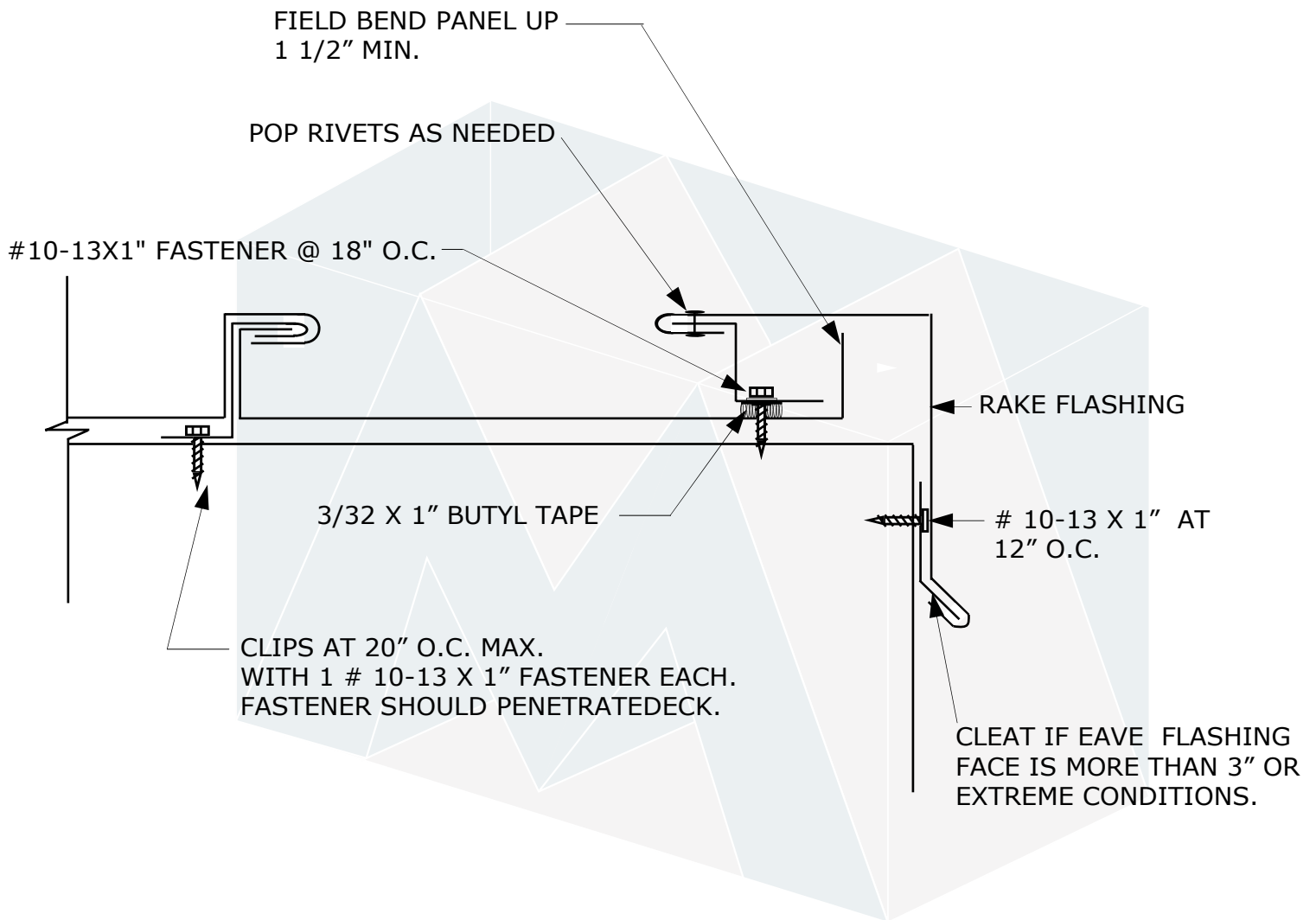
REV:

DRAWING  
NO.

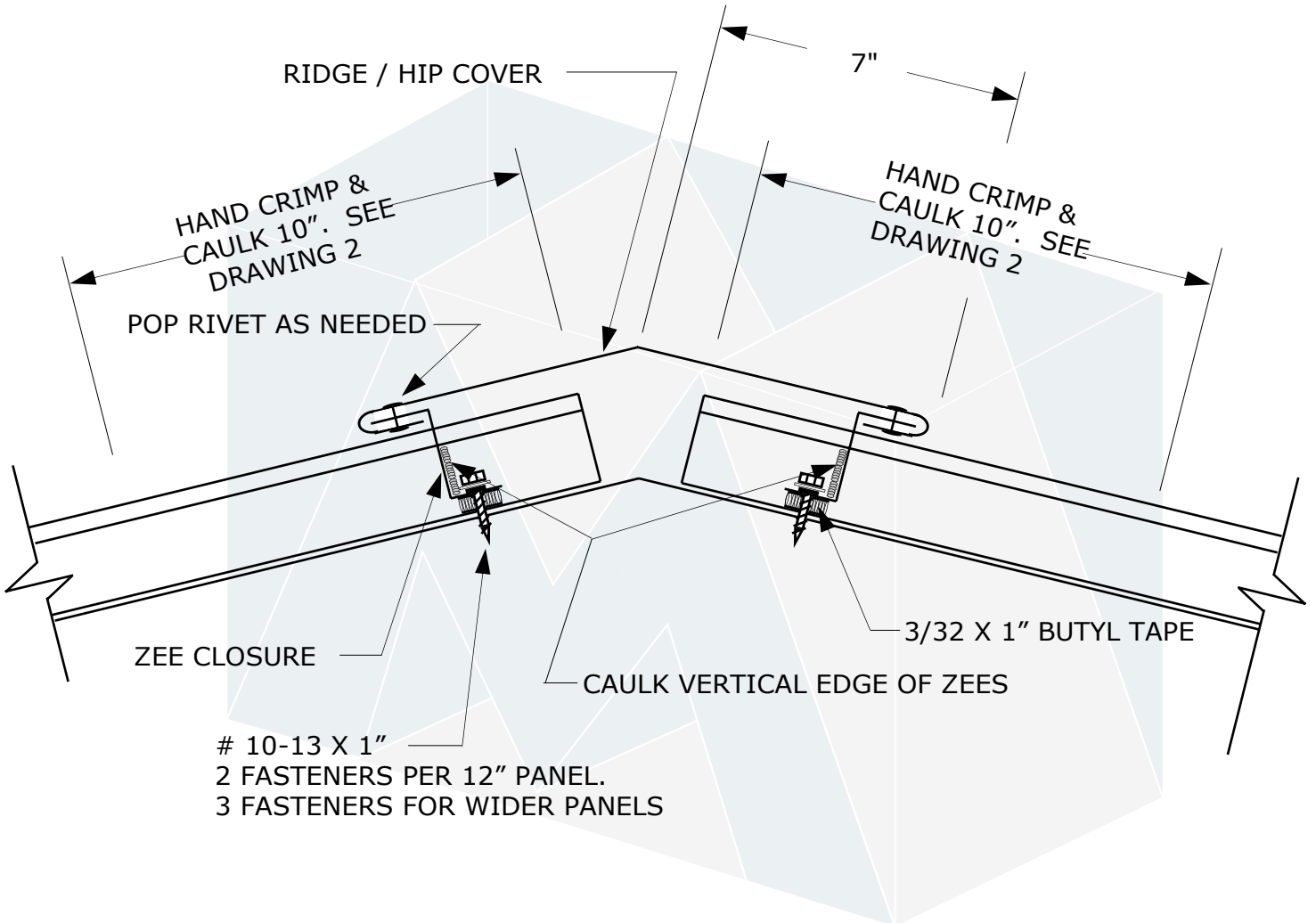
**4**



NOTE: NOT FOR SHOP DRAWING USE



NOTE: NOT FOR SHOP DRAWING USE



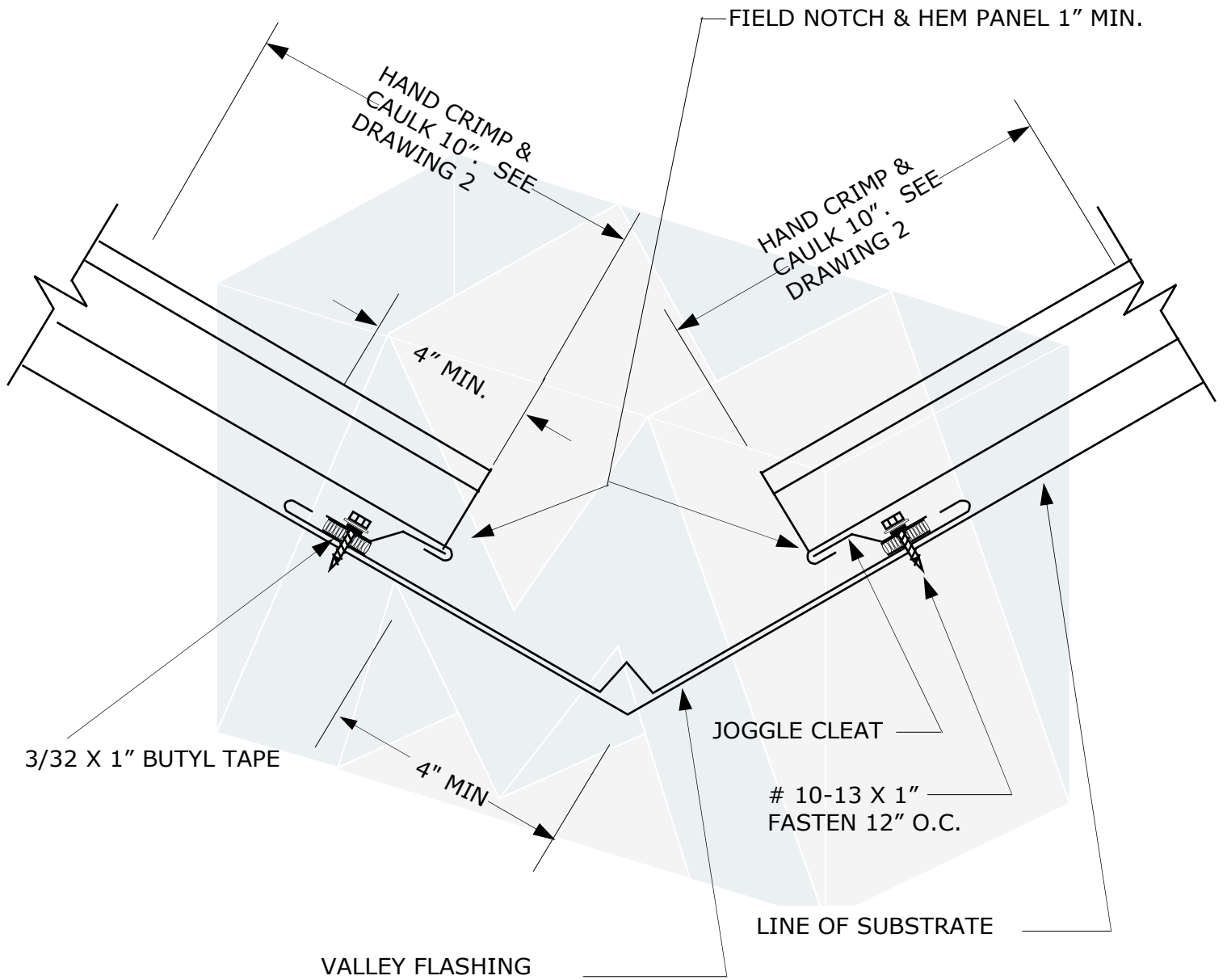
NOTE: NOT FOR SHOP DRAWING USE



7670 Mikron Drive  
 Stanley, NC 28164  
 704-820-3110

SUBJECT: RIDGE / HIP COVER		
SYSTEM: <b>MRS SYSTEM 1500</b>		
DATE:	SCALE: NONE	REV:

DRAWING NO.  
**7**



NOTE: NOT FOR SHOP DRAWING USE



7670 Mikron Drive  
Stanley, NC 28164  
704-820-3110

SUBJECT: FLOATING VALLEY

SYSTEM: **MRS SYSTEM 1500**

DATE:

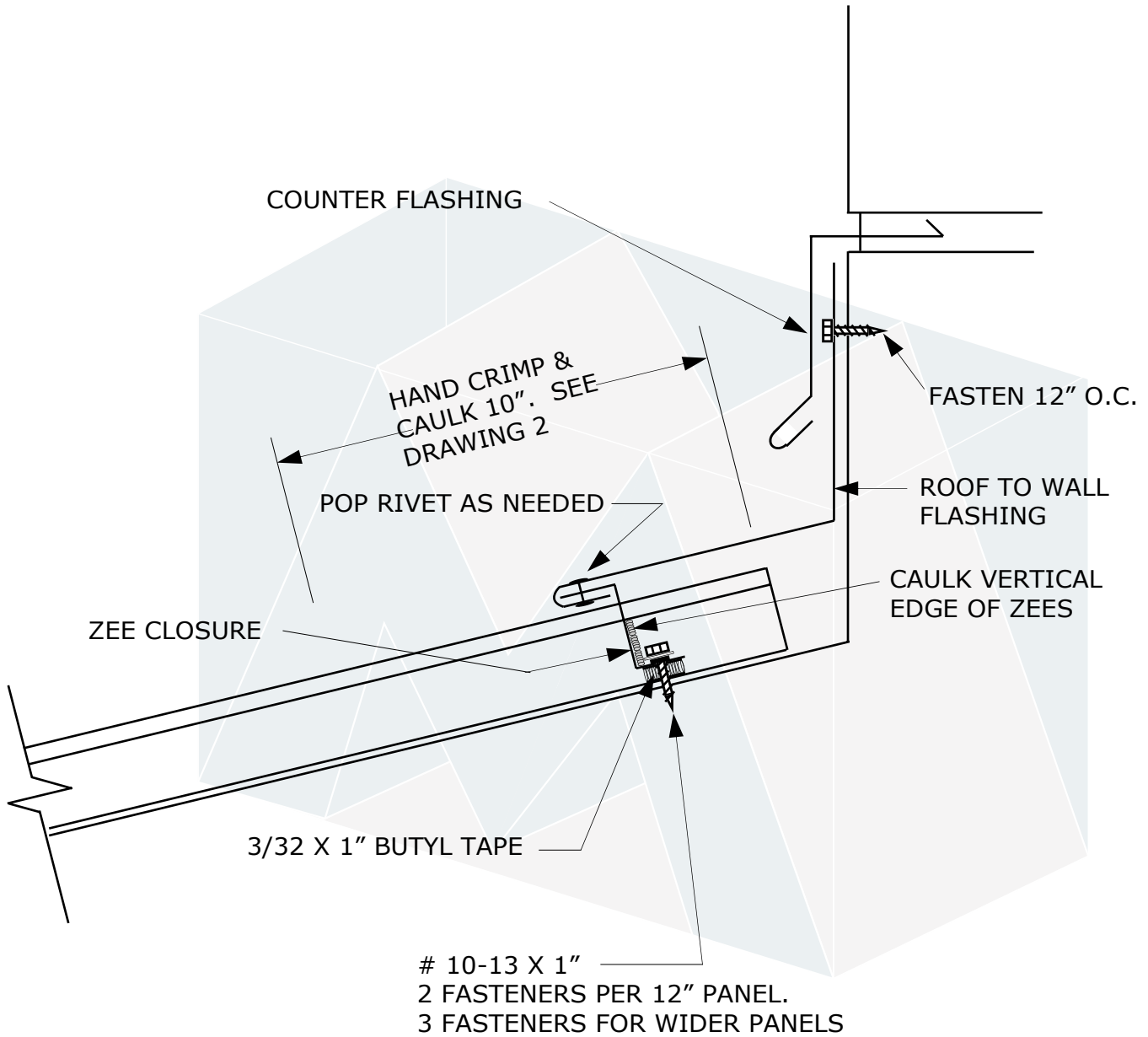
SCALE: NONE

REV:

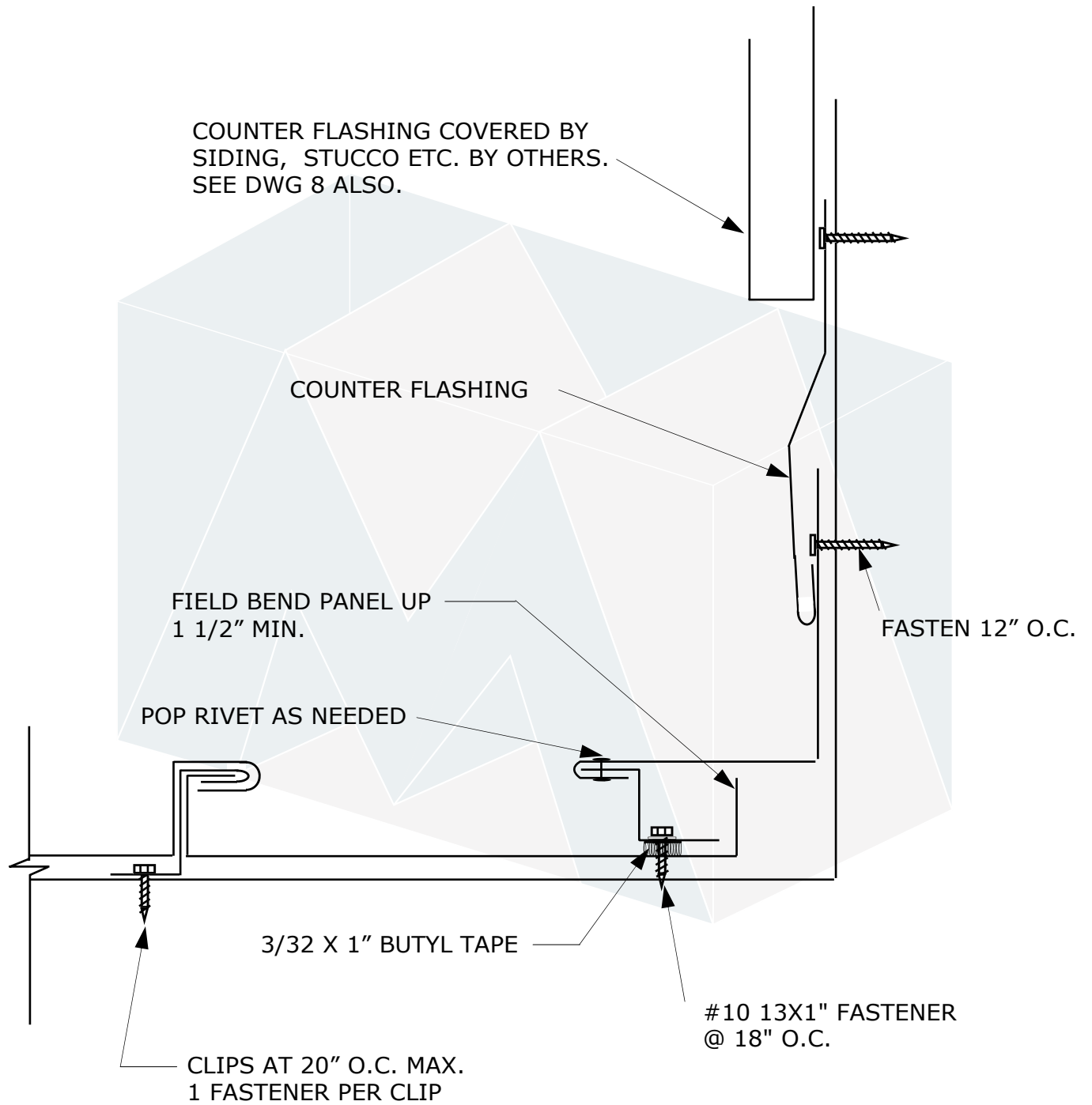
DRAWING NO.

**8**






NOTE: NOT FOR SHOP DRAWING USE



NOTE: NOT FOR SHOP DRAWING USE

 <b>METAL ROOFING</b> Systems, Inc	7670 Mikron Drive Stanley, NC 28164 704-820-3110		SUBJECT: SIDEWALL FLASHING		DRAWING NO <b>10</b>
			SYSTEM: <b>MRS SYSTEM 1500</b>		
	DATE:	SCALE: NONE	REV:		