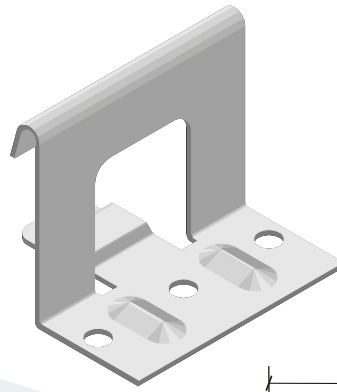
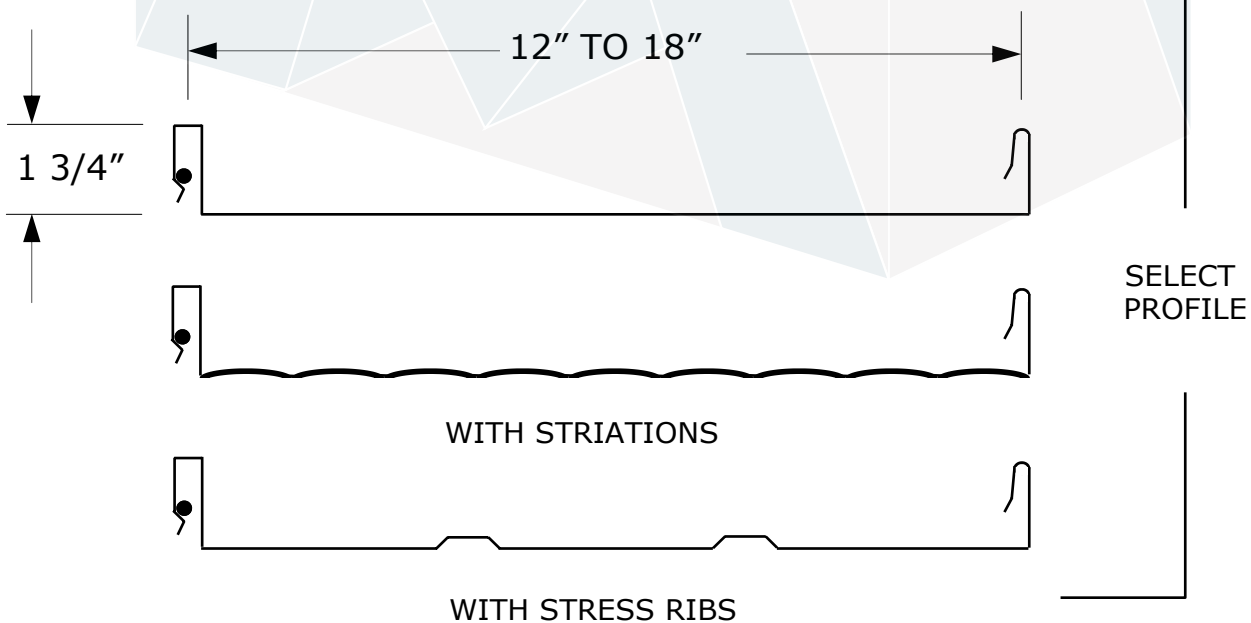
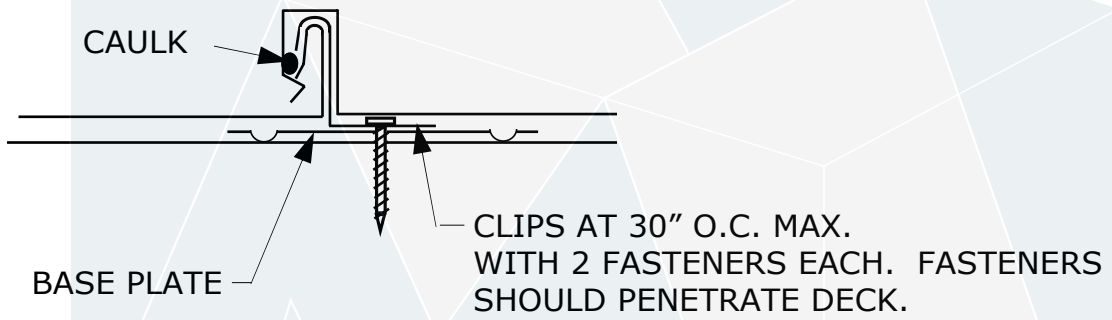


UL-90 CLIP



H = 1-7/8"  
W = 2-1/4"



\* STRIATIONS AND STRESS RIBS HELP PREVENT OIL CANNING



7670 Mikron Drive  
Stanley, NC 28164  
704-820-3110

SUBJECT: CLIP AND PANEL PROFILE

SYSTEM: **MRS System 2000**

DATE:

SCALE: NONE

REV:

DRAWING  
NO.  
**1**

EAVE FLASHING. SEE  
DETAIL BELOW FOR  
CAULKING PATTERN

# 12-14 X 3/4" FASTENER

#10-13 X 1"  
FASTEN 12" O,C.

HANGERS 30" O.C.

FIELD NOTCH 1" AND HEM  
UNDER DRIP.

BEAD OF CONTINOUS SEALANT ON DRIP

NOTE: NOT FOR SHOP DRAWING USE



**METAL ROOFING**  
Systems, Inc

7670 Mikron Drive  
Stanley, NC 28164  
704-820-3110

SUBJECT: LOCKING EAVE FLASHING

SYSTEM: **MRS System 2000**

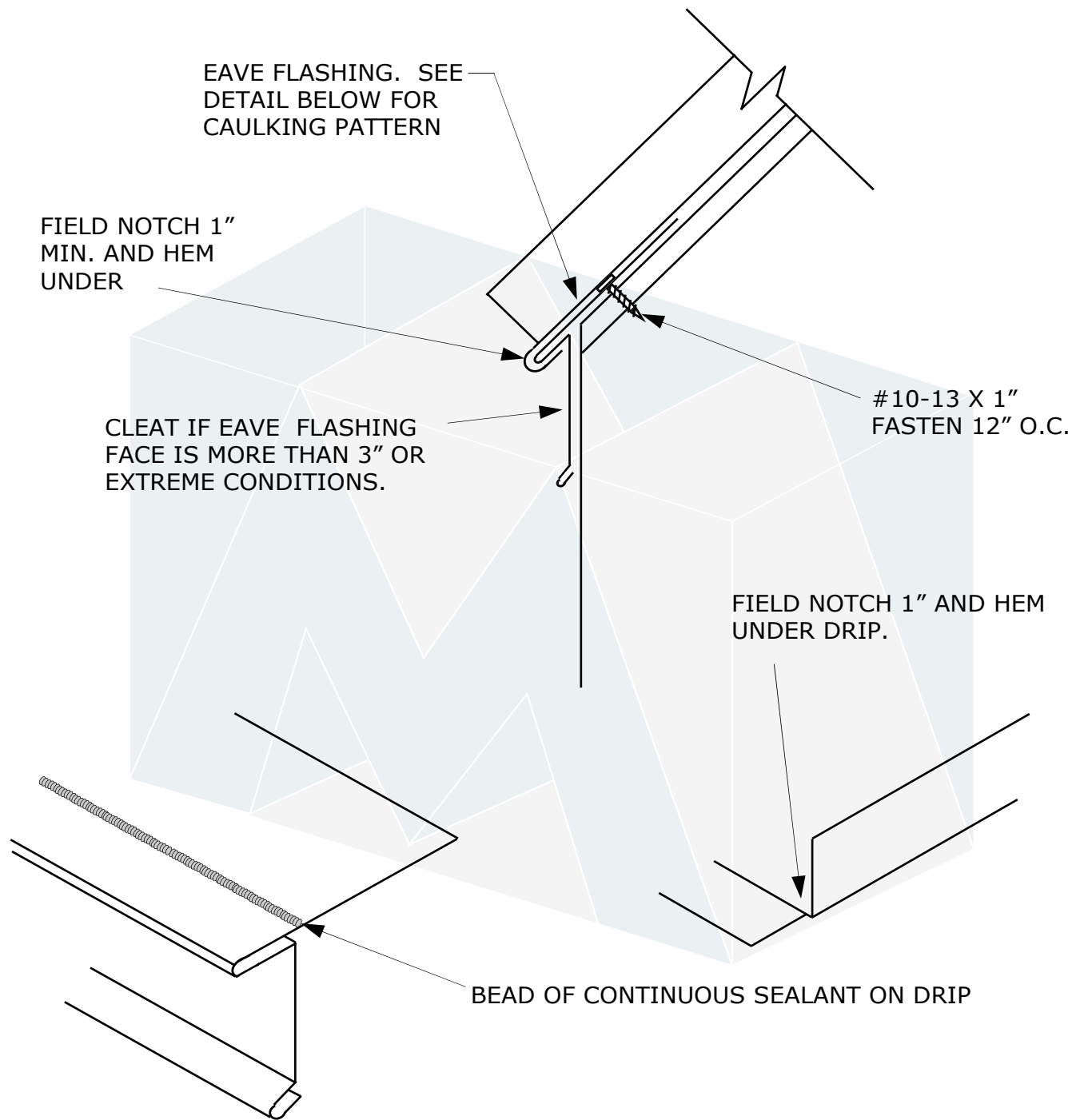
DATE:

SCALE: NONE

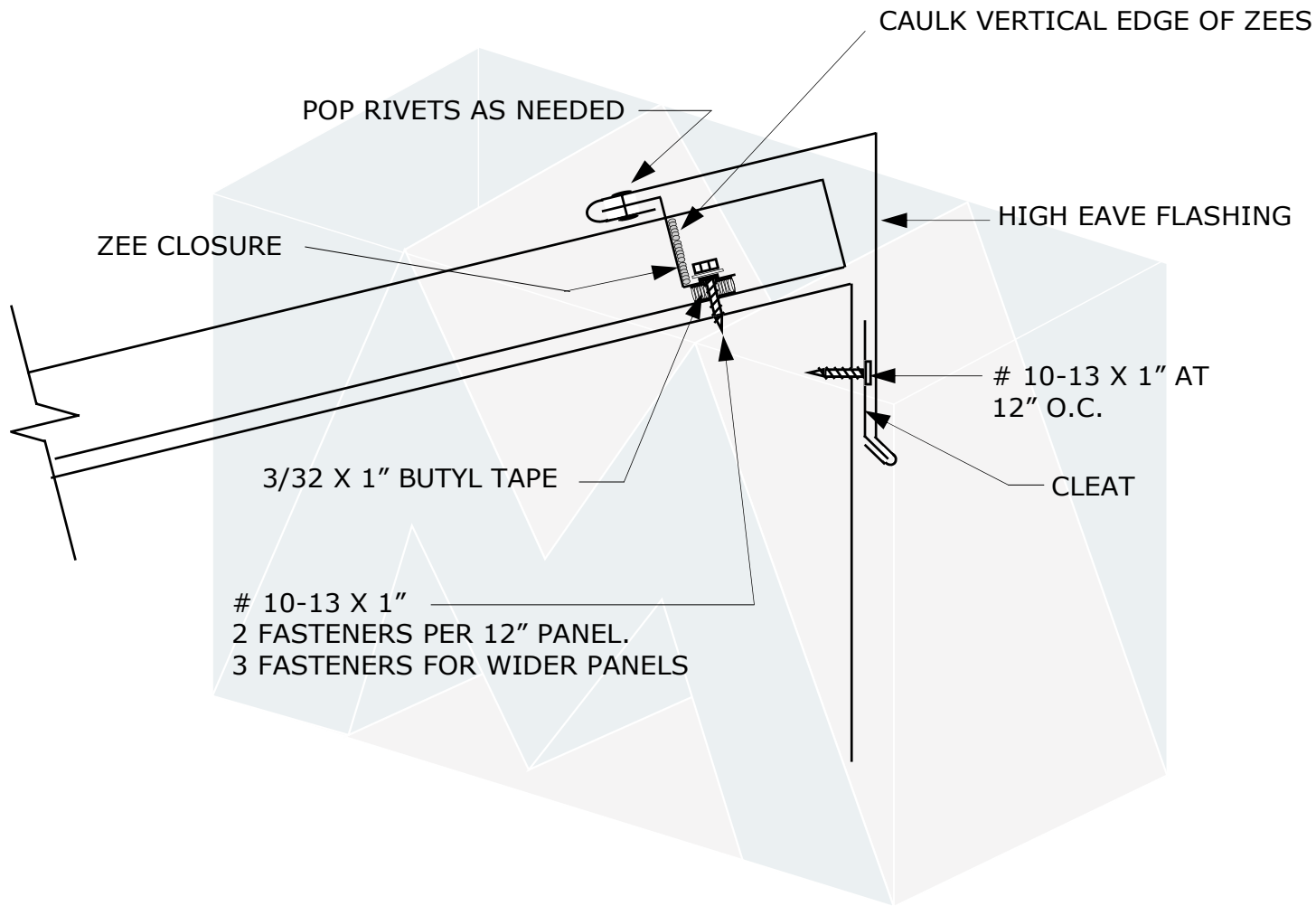
REV:

DRAWING  
NO.

**2**




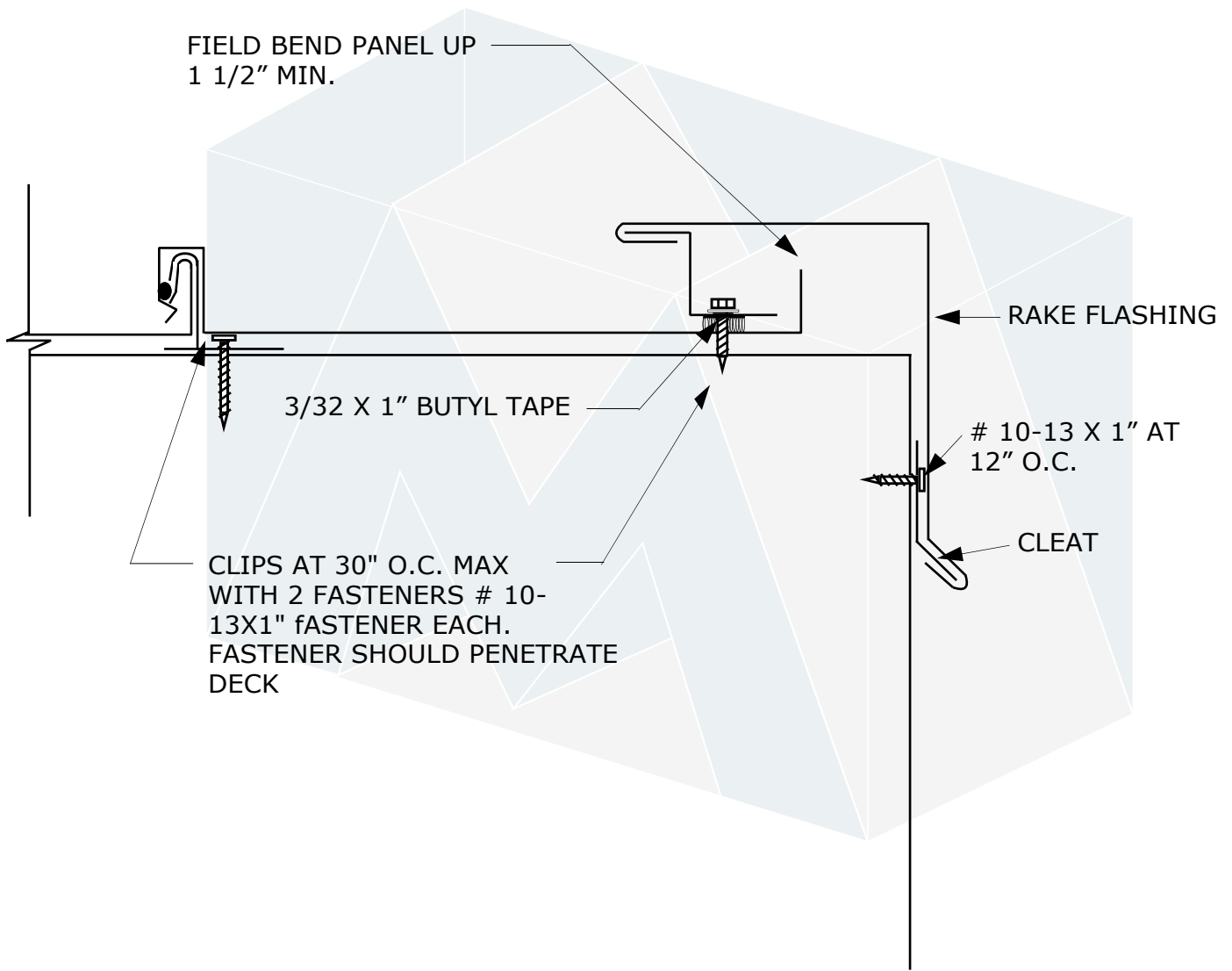
NOTE: NOT FOR SHOP DRAWING USE



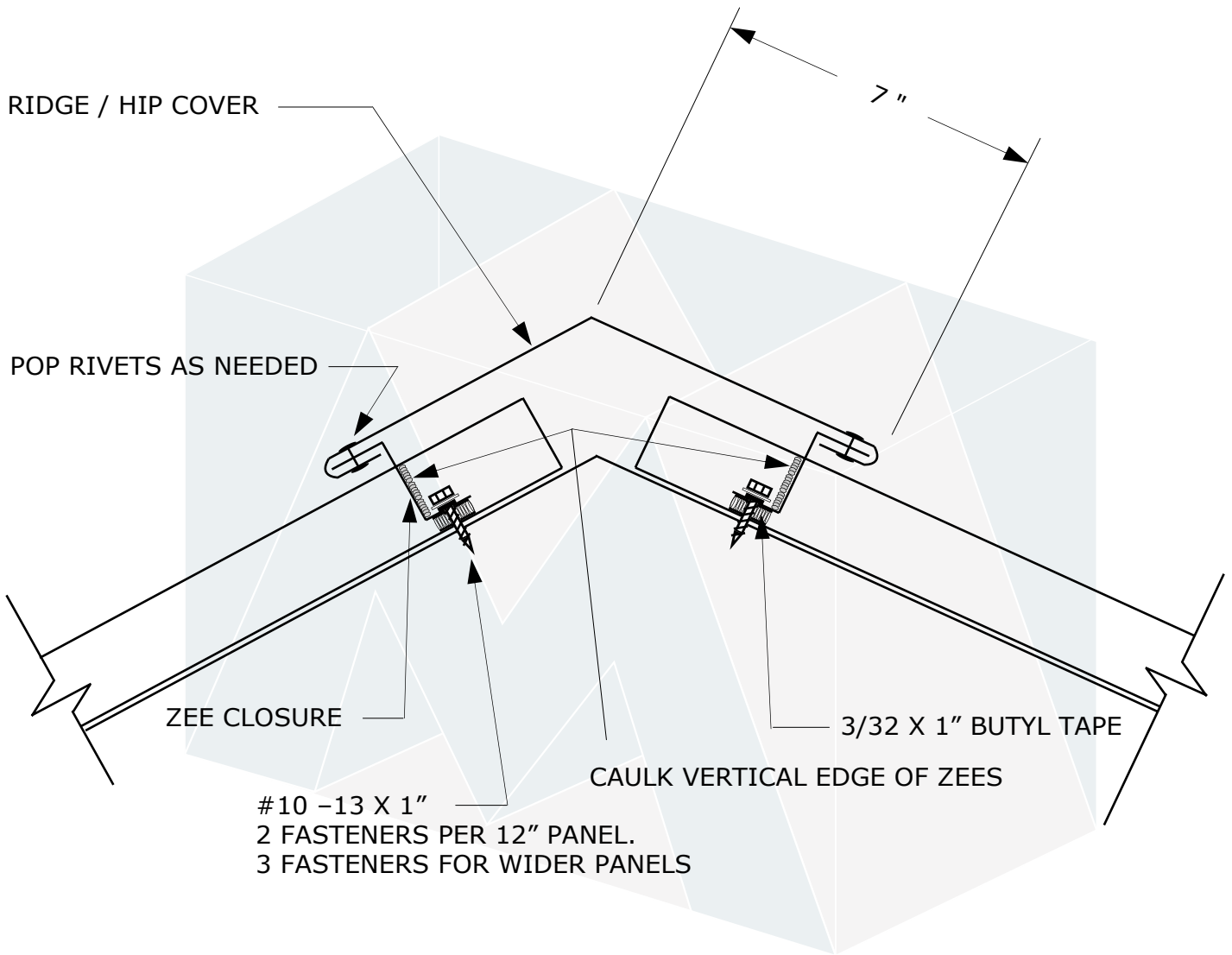
# 10-13 X 1"  
 2 FASTENERS PER 12" PANEL.  
 3 FASTENERS FOR WIDER PANELS

NOTE: NOT FOR SHOP DRAWING USE

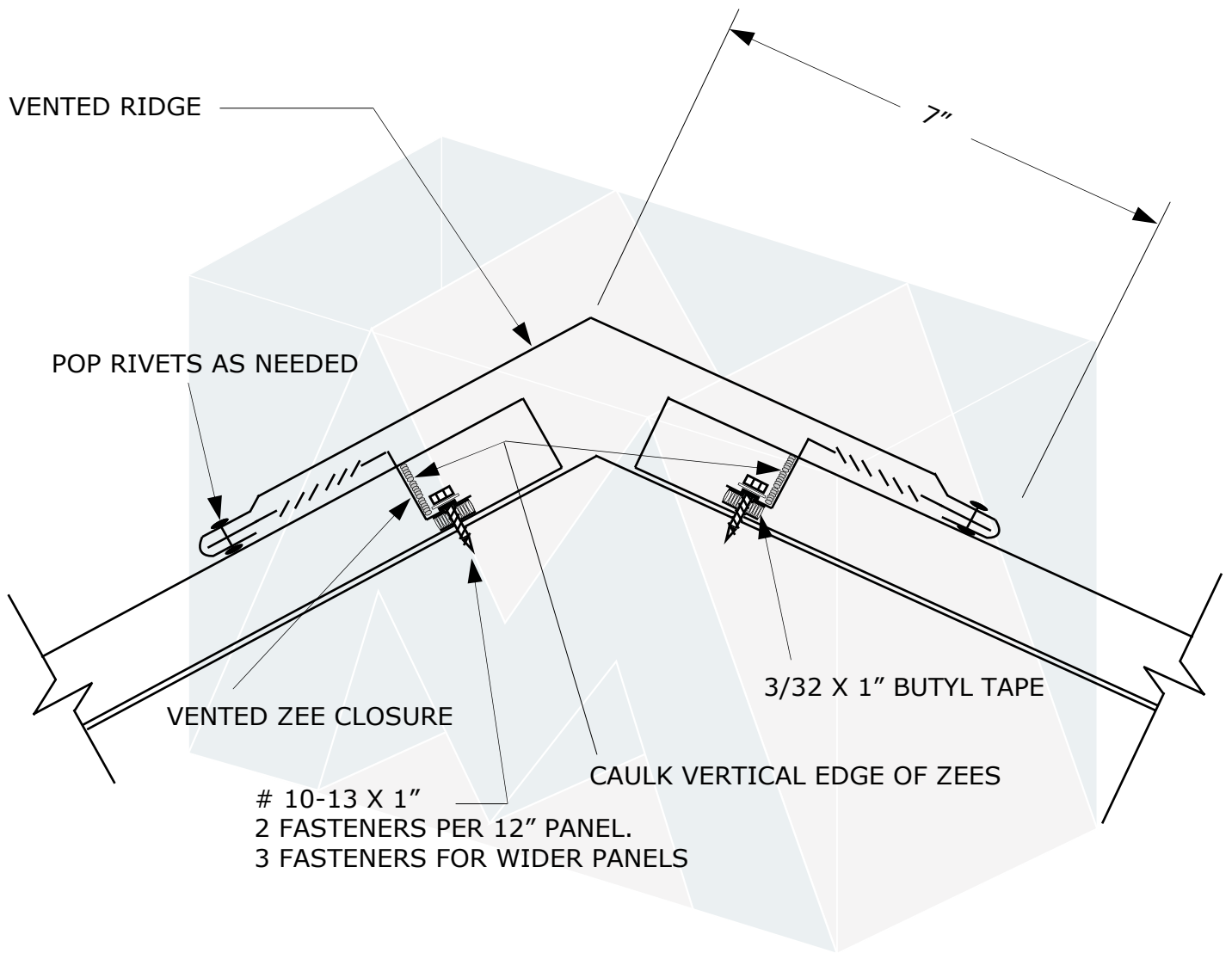
	7670 Mikron Drive Stanley, NC 28164 704-820-3110	SUBJECT: HI— EAVE FLASHING			DRAWING NO. <b>4</b>
		SYSTEM: <b>MRS System 2000</b>			
		DATE:	SCALE: NONE	REV:	




NOTE: NOT FOR SHOP DRAWING USE

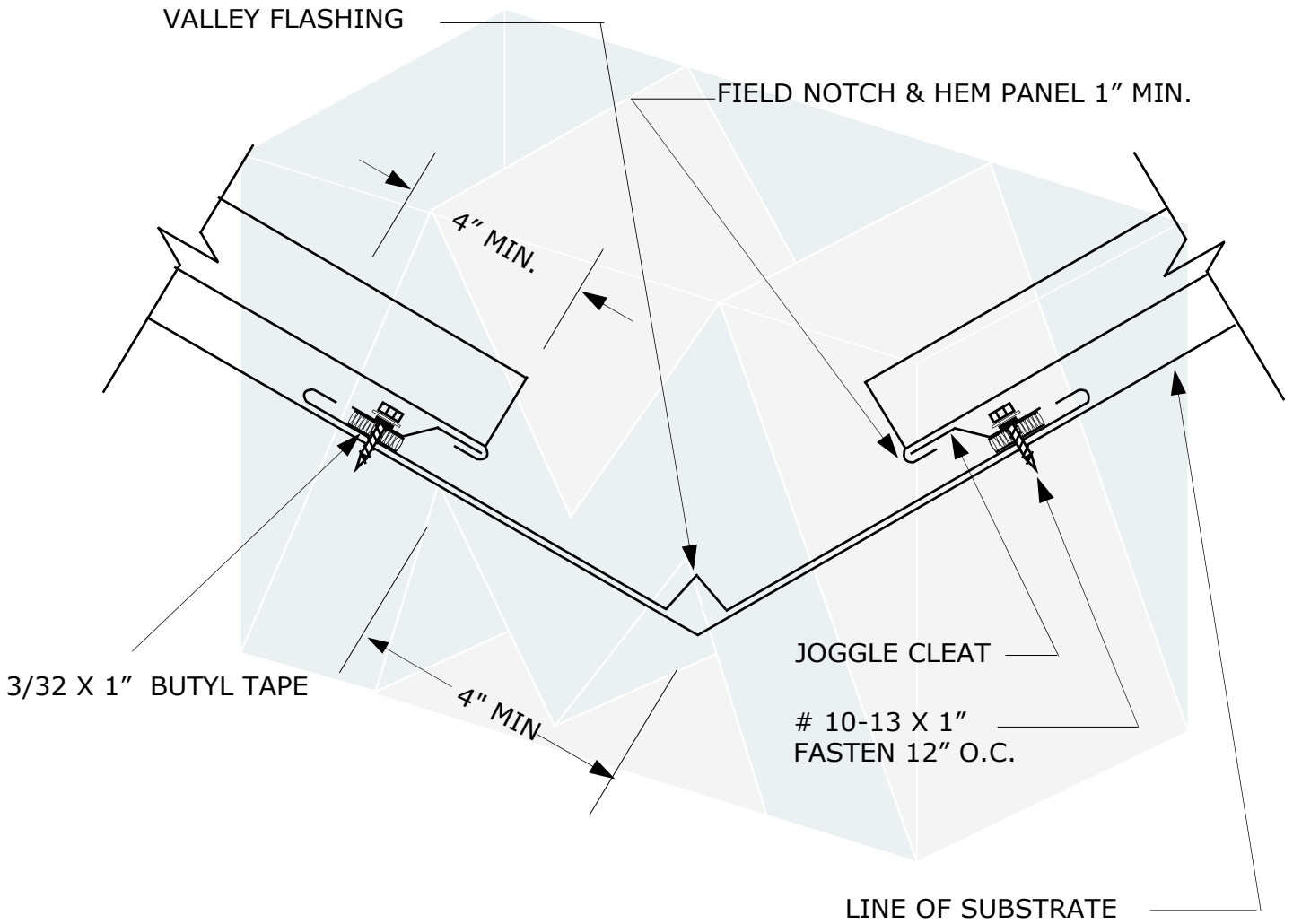


NOTE: NOT FOR SHOP DRAWING USE



NOTE: NOT FOR SHOP DRAWING USE

 <b>METAL ROOFING</b> Systems, Inc	7670 Mikron Drive Stanley, NC 28164 704-820-3110	SUBJECT: VENTED RIDGE		DRAWING NO. <b>7</b>
		SYSTEM: <b>MRS System 2000</b>		
		DATE:	SCALE: NONE	



NOTE: NOT FOR SHOP DRAWING USE



7670 Mikron Drive  
 Stanley, NC 28164  
 704-820-3110

SUBJECT: FLOATING VALLEY

SYSTEM: **MRS System 2000**

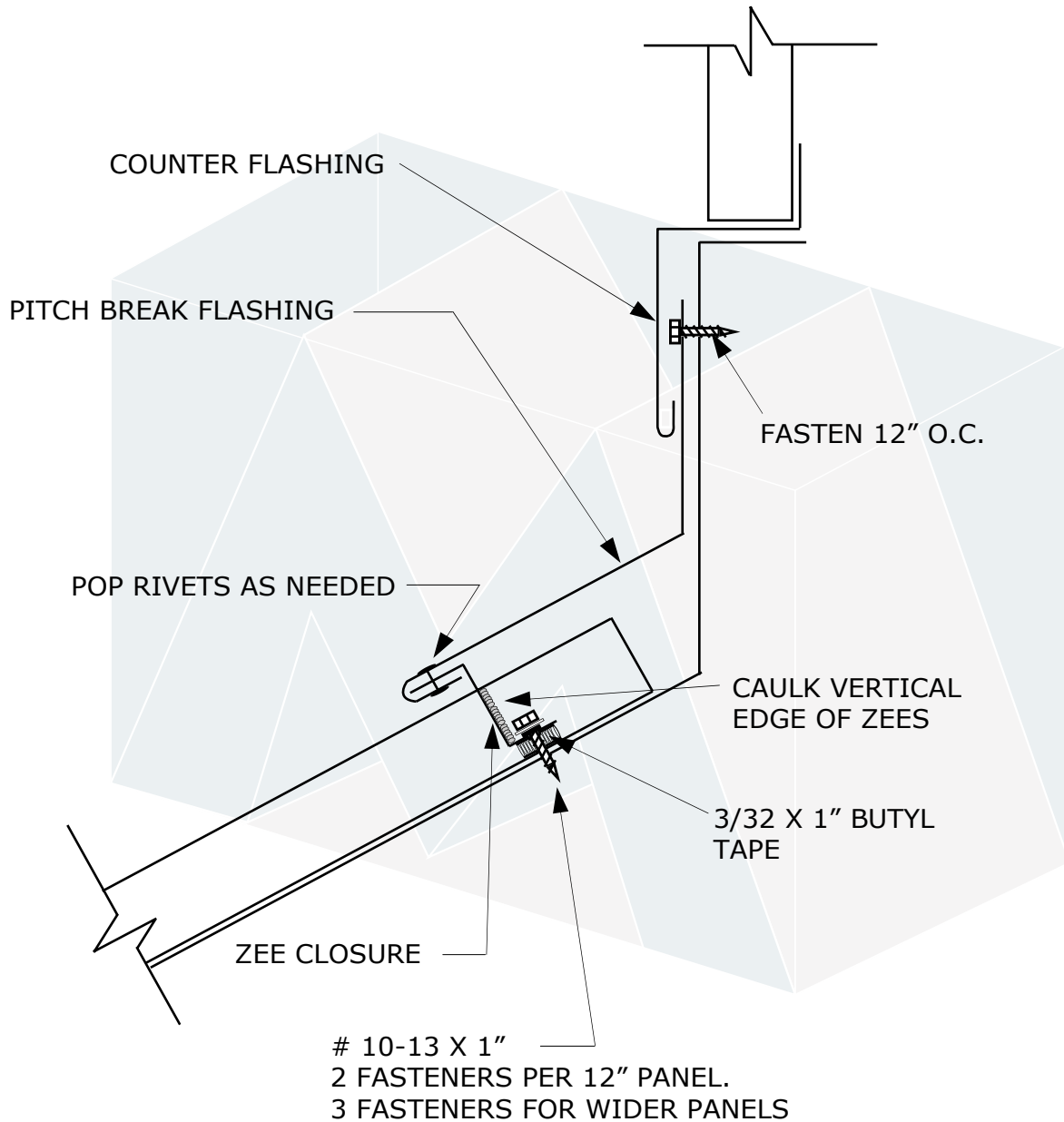
DATE:

SCALE: NONE

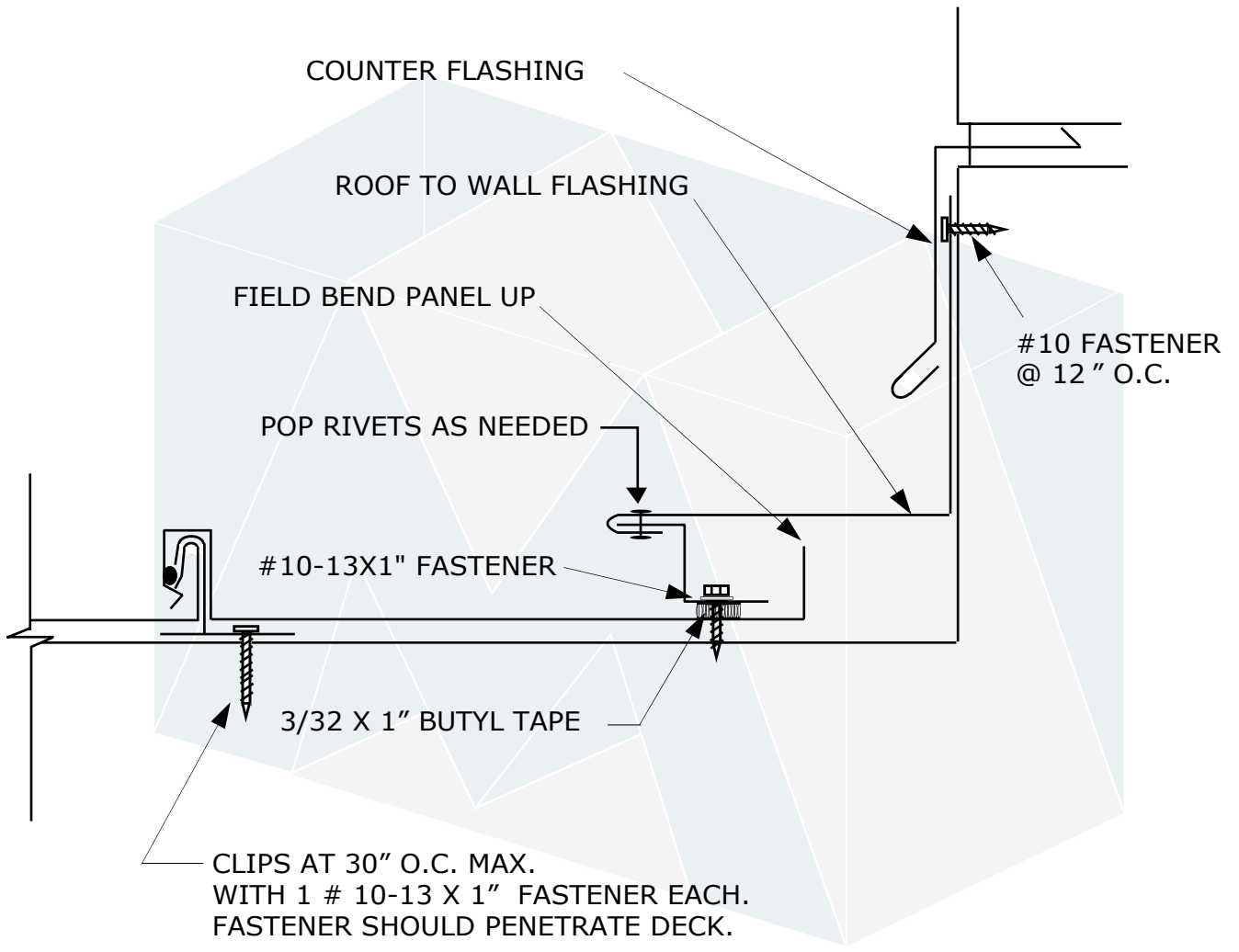
REV:

DRAWING  
 NO.  
**8**






NOTE: NOT FOR SHOP DRAWING USE



NOTE: NOT FOR SHOP DRAWING USE

 <b>METAL ROOFING</b> Systems, Inc	7670 Mikron Drive Stanley, NC 28164 704-820-3110	SUBJECT: SIDEWALL FLASHING			DRAWING NO <b>10</b>
		SYSTEM: <b>MRS System 2000</b>			
		DATE:	SCALE: NONE	REV:	