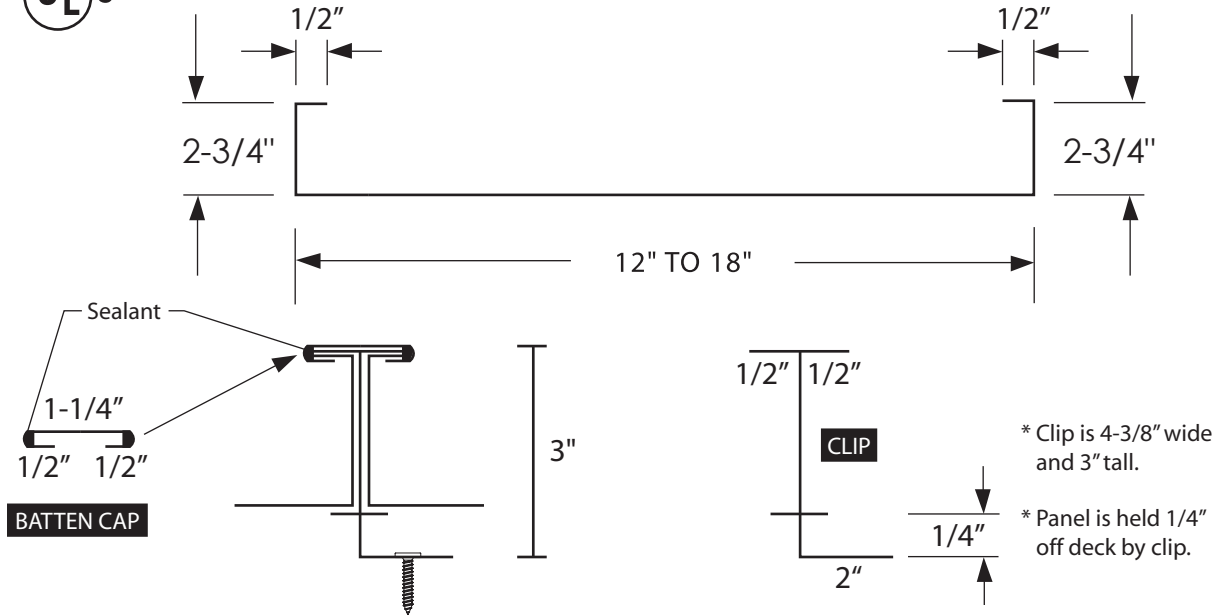


# MRS System 3000

12" - 18" o.c.  
3" high Nominal  
Mechanical Seam

.032 or .040 aluminum  
22 or 24 gauge steel



**U.L. 580 Class 90 Certified**  
**ASTM E1592, E1646, E1680 Tested**  
Ideal for low slope conditions in commercial applications

**Material:** .032 or .040 Aluminum, 22 or 24 gauge Steel  
12" to 18" o.c.

**Features:** Striations (Recommended)  
Flat  
Curved  
Optional Sealant in Batten

**Requirements:** Solid Substrate, Open Framing  
Ice & Water Shield or Synthetic Underlayment  
Minimum Roof Pitch: 1/2" on 12"

**Finish:** Hylar 5000 or Kynar 500<sup>®</sup>

#### Locations:

7670 Mikron Drive  
Stanley, NC 28164  
Tel: 704-820-3110  
Fax: 704-820-0113

2451 Bulk Plant Road  
Conway, SC 29526  
Tel: 843-365-6673  
Fax: 843-365-6683

5512 Fort Henry Drive  
Kingsport, TN 37663  
Tel: 423-239-0013  
Fax: 423-447-7150



**METAL ROOFING**  
Systems, Inc

Website: [www.metalroofingsystems.biz](http://www.metalroofingsystems.biz)