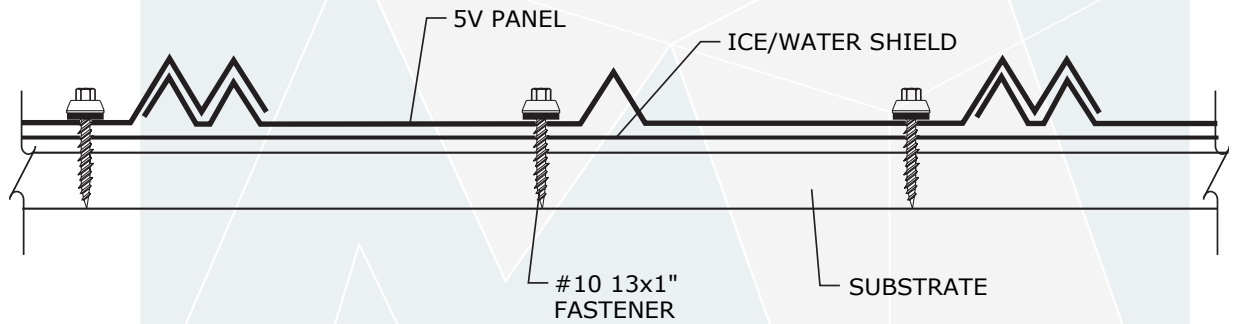
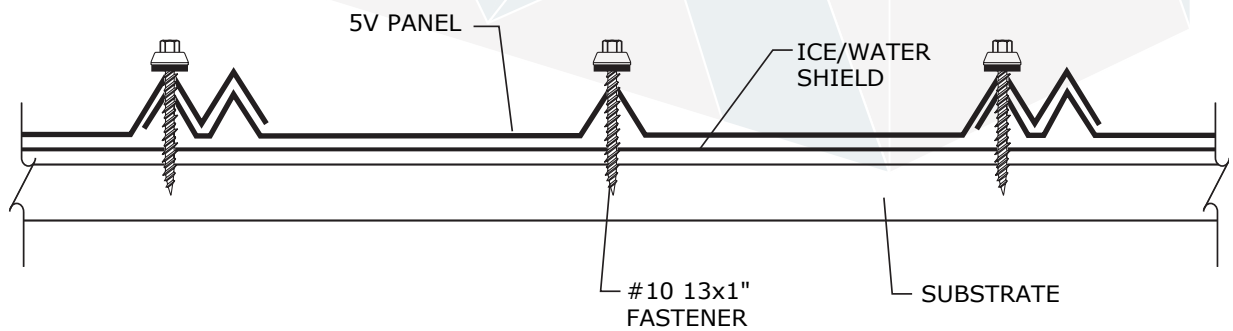


FASTENER PATTERN AT EAVE AND ENDLAP

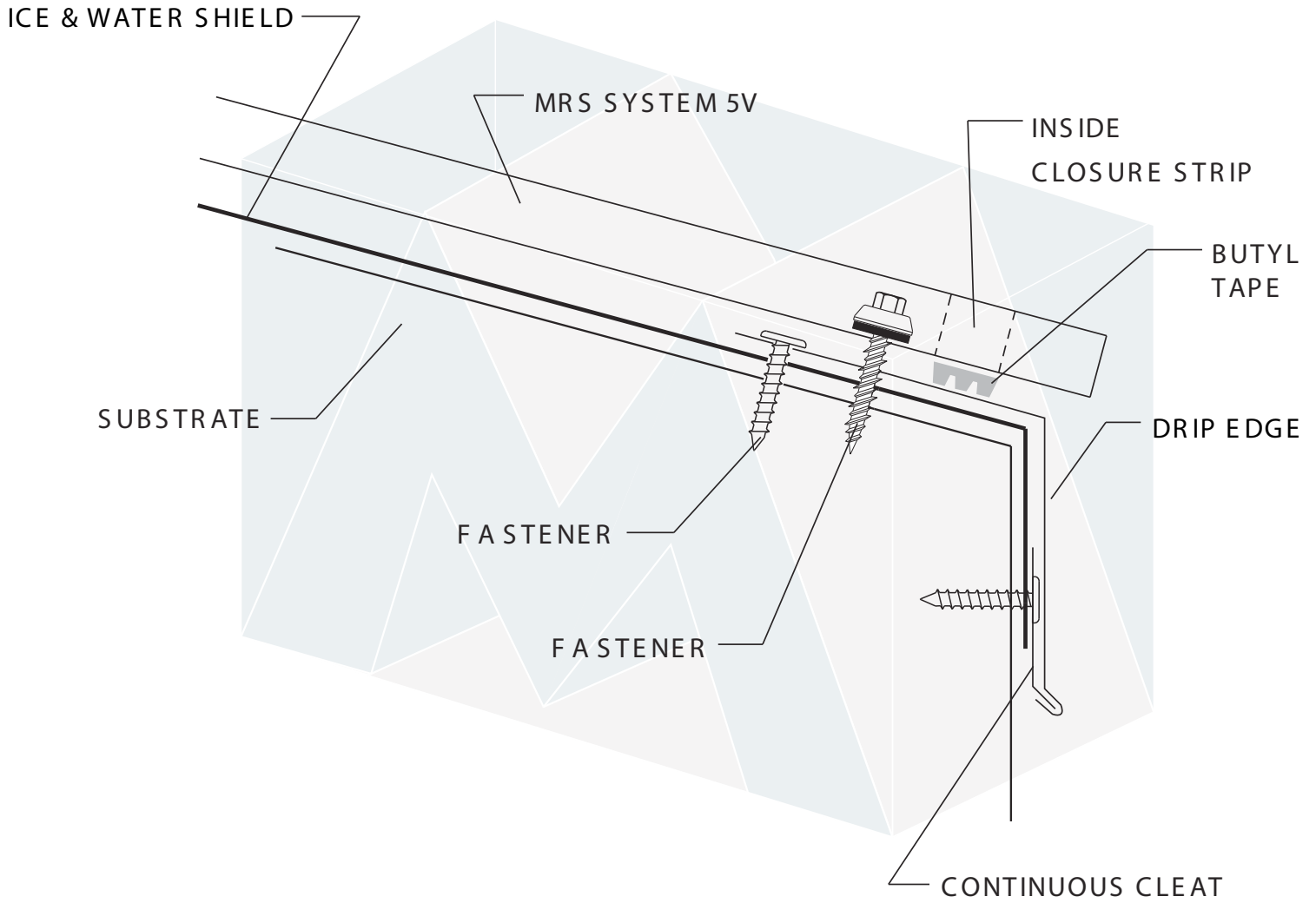


FASTENER PATTERN AT INTERIOR OF PANEL

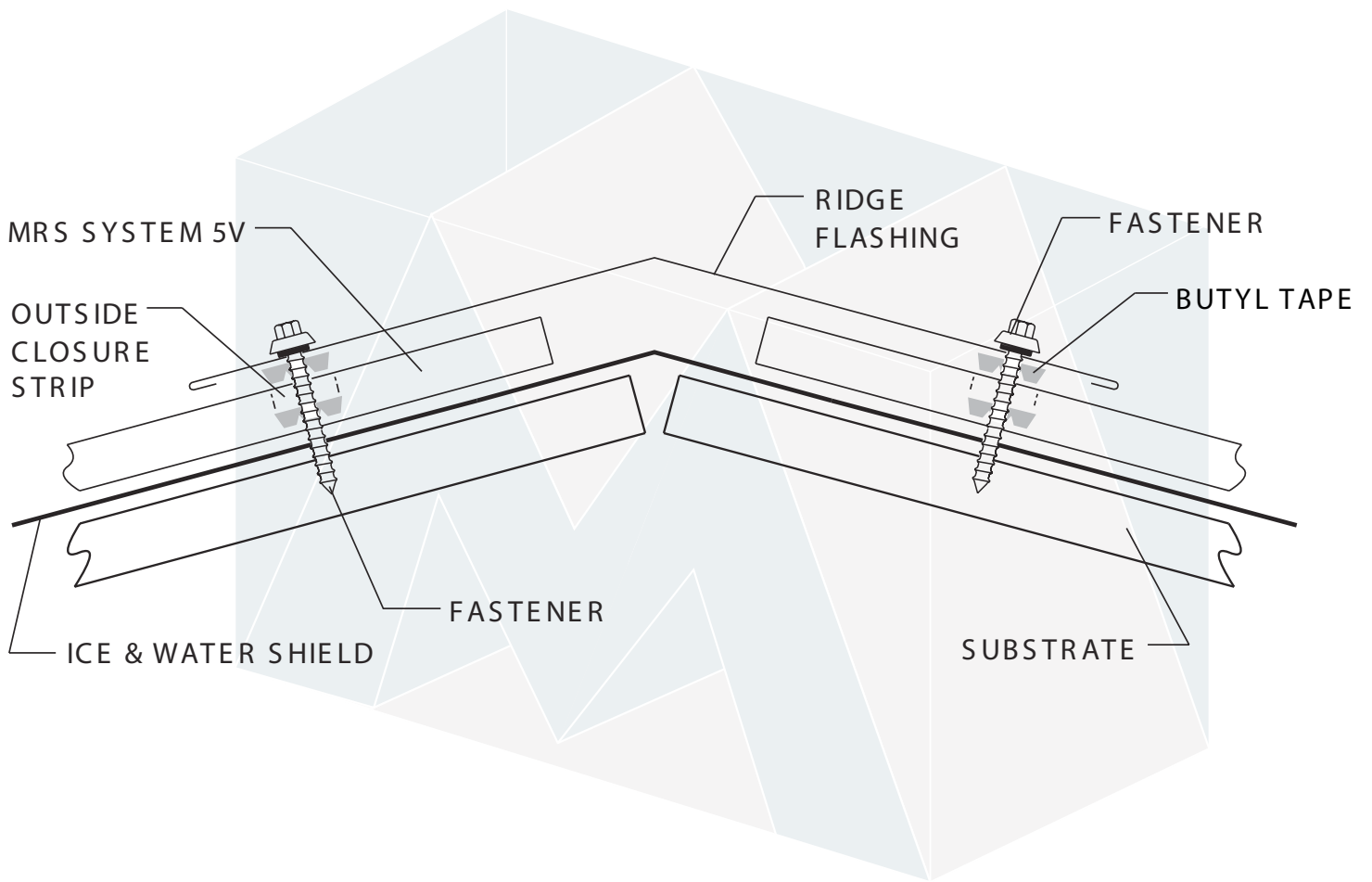


ALTERNATE FASTENER PATTERN

NOTE: NOT FOR SHOP DRAWING USE.



NOTE: NOT FOR SHOP DRAWING USE.



NOTE: NOT FOR SHOP DRAWING USE.



METAL ROOFING
Systems, Inc

7670 Mikron Drive
Stanley, NC 28164
704-820-3110

SUBJECT: RIDGE COVER

SYSTEM: **MRS 5V**

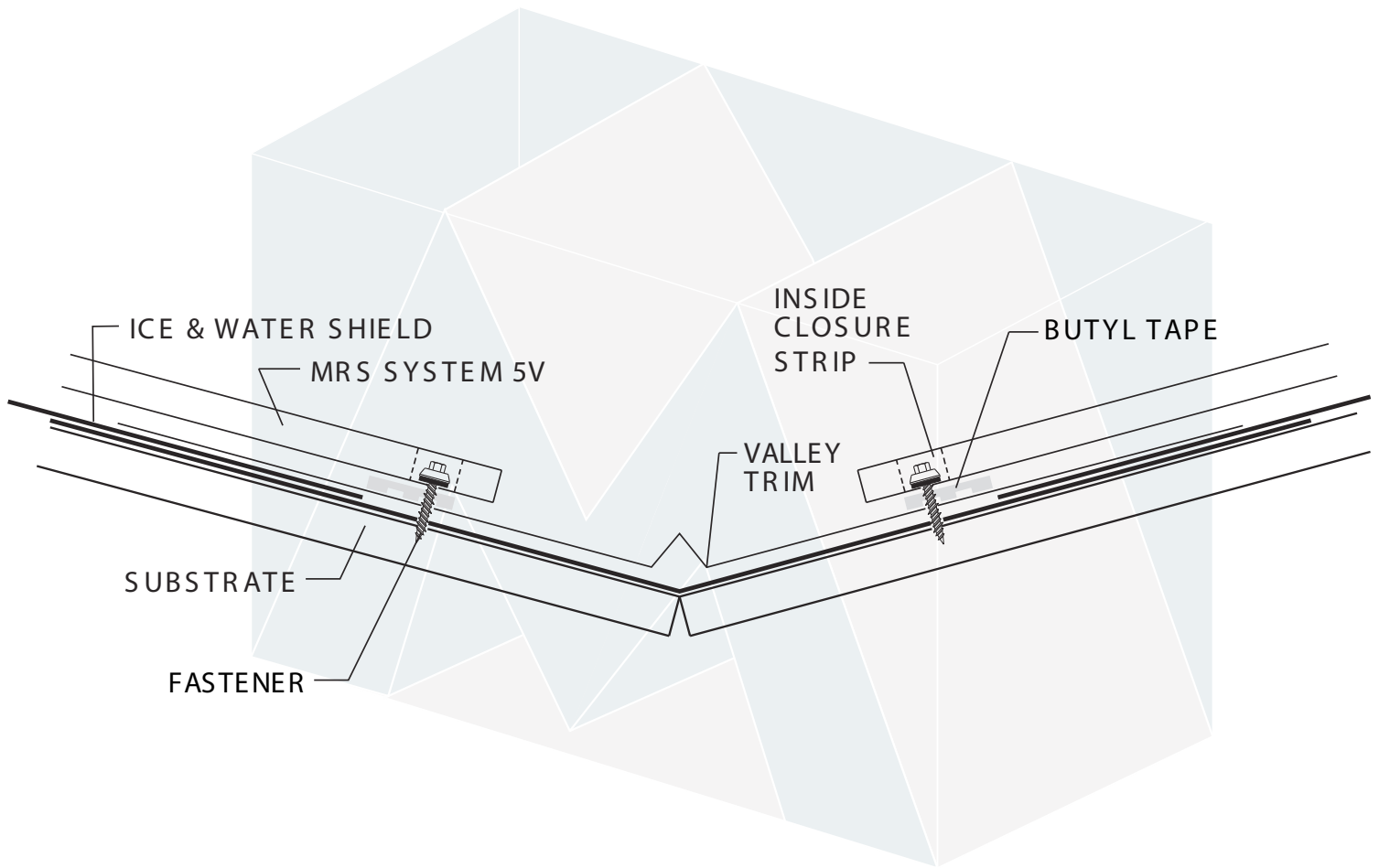
DATE:

SCALE: NONE


REV:

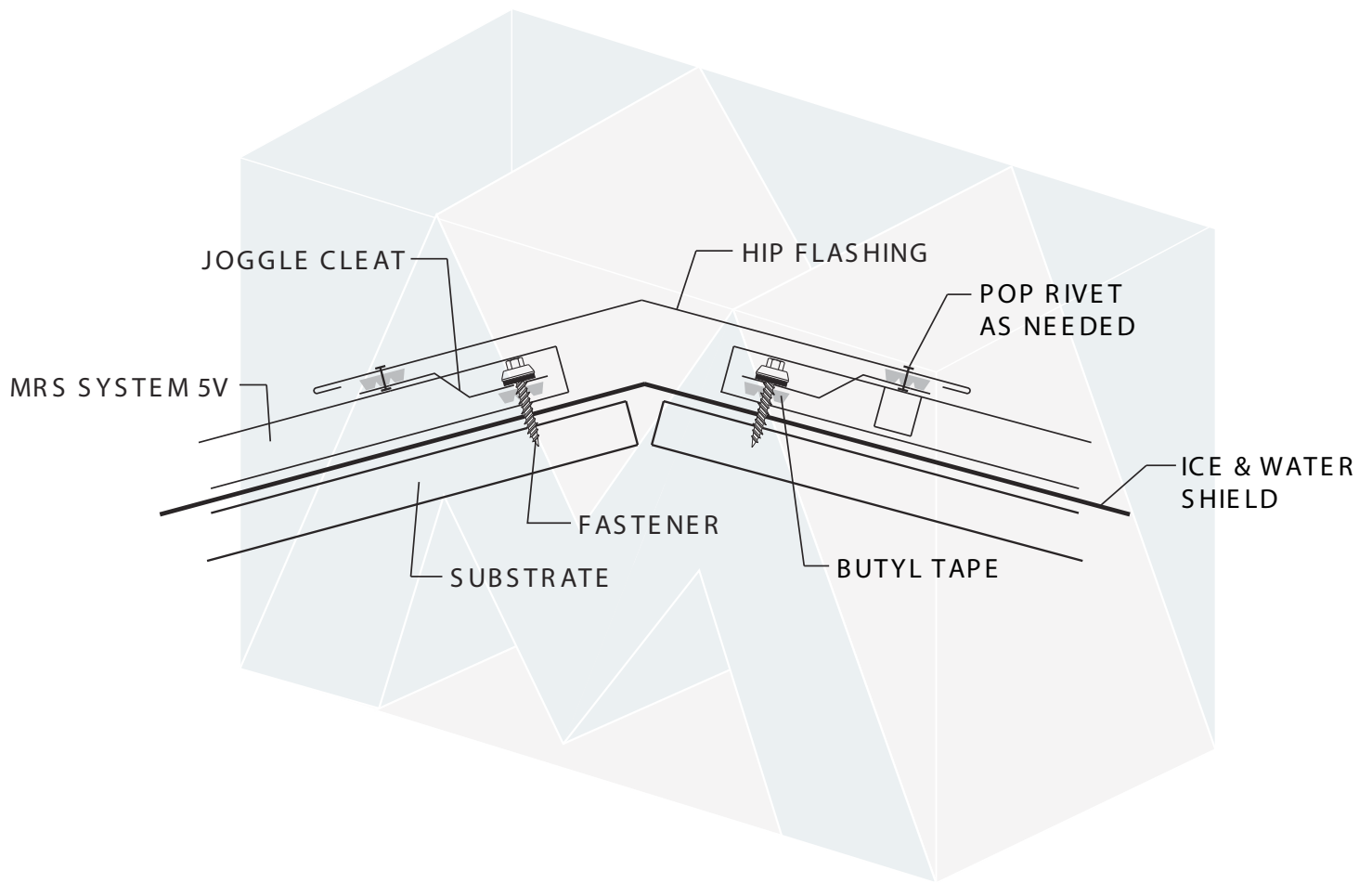
DRAWING
NO.

3




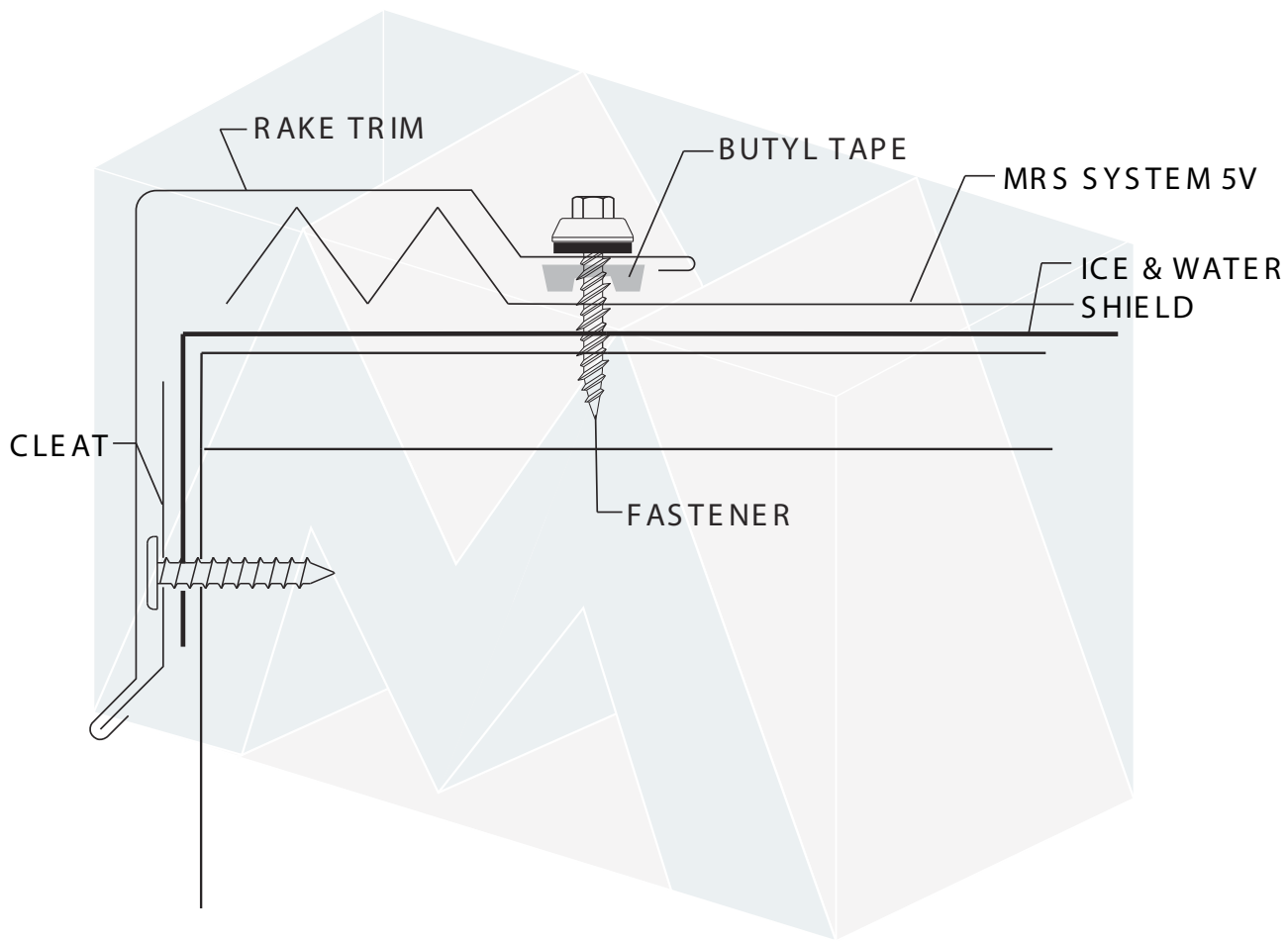
NOTE: NOT FOR SHOP DRAWING USE.

	7670 Mikron Drive Stanley, NC 28164 704-820-3110	SUBJECT: VALLEY FLASHING			DRAWING NO. 4
		SYSTEM: MRS 5V			
		DATE:	SCALE: NONE	REV:	



NOTE: NOT FOR SHOP DRAWING USE.

 METAL ROOFING Systems, Inc	7670 Mikron Drive Stanley, NC 28164 704-820-3110		SUBJECT: HIP FLASHING		DRAWING NO. 5
	SYSTEM: MRS 5V		DATE:		
	SCALE: NONE		REV:		



NOTE: NOT FOR SHOP DRAWING USE.



7670 Mikron Drive
Stanley, NC 28164
704-820-3110

SUBJECT: RAKE FLASHING

SYSTEM: **MRS 5V**

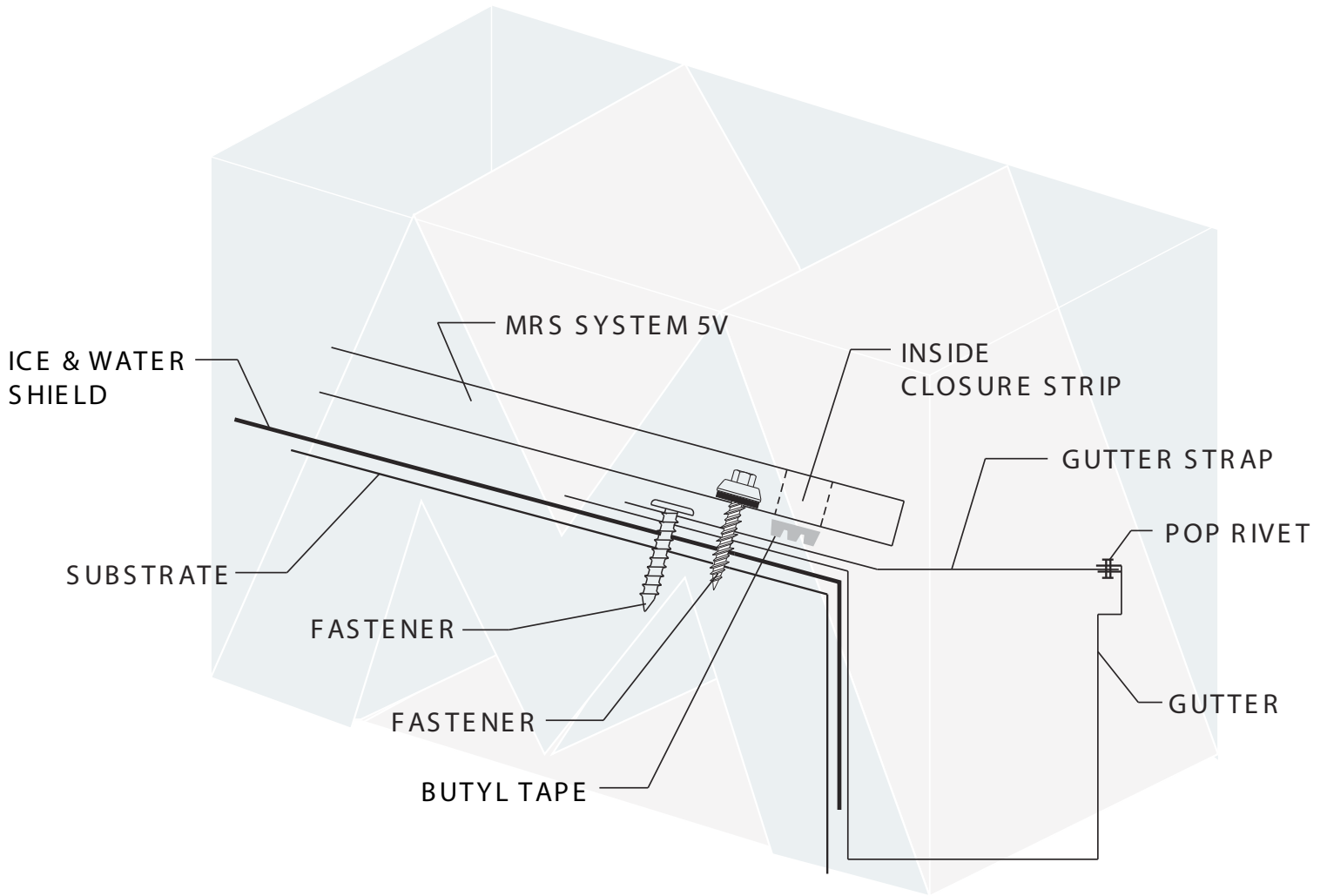
DATE:

SCALE: NONE

REV:

DRAWING
NO.

6



NOTE: NOT FOR SHOP DRAWING USE.